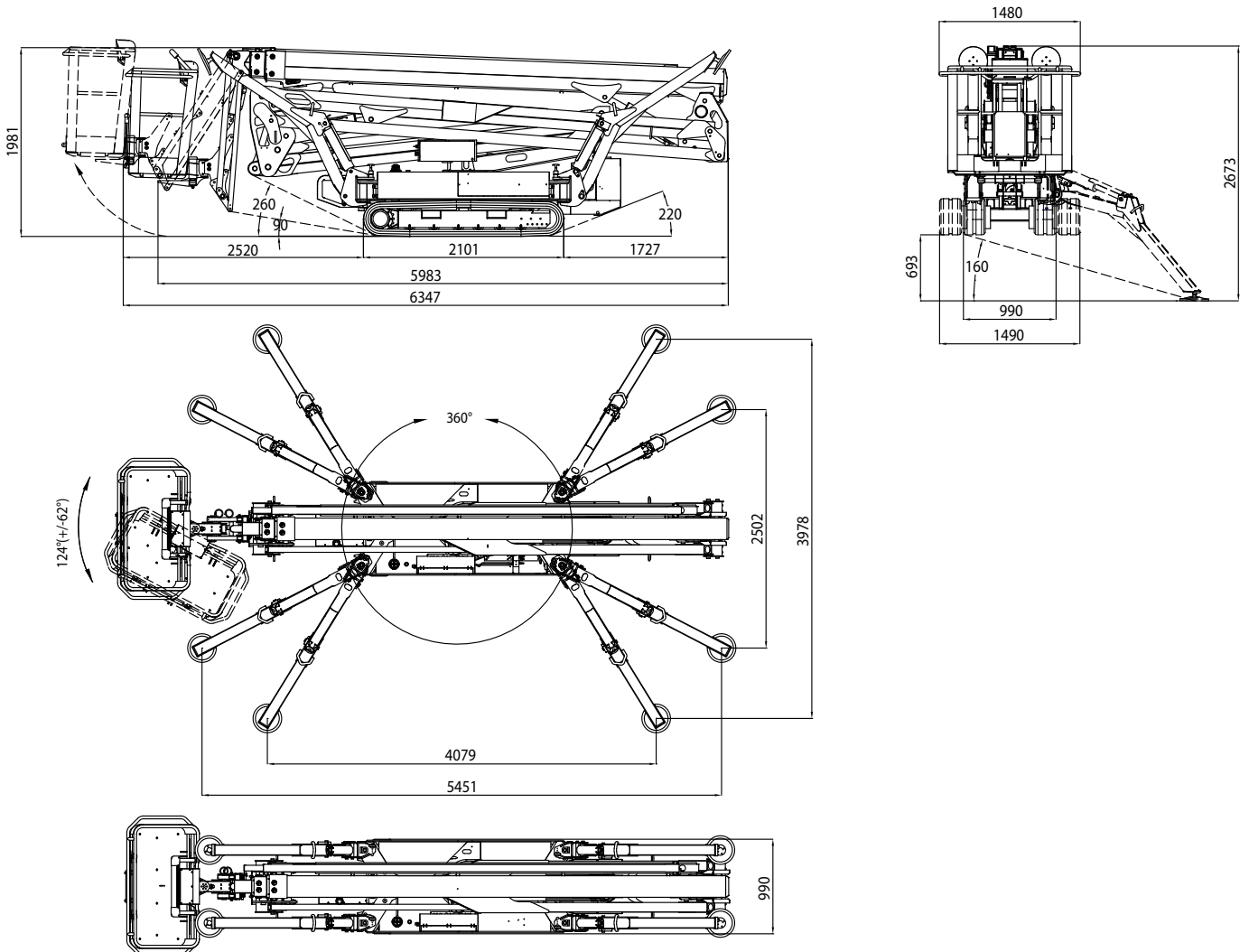


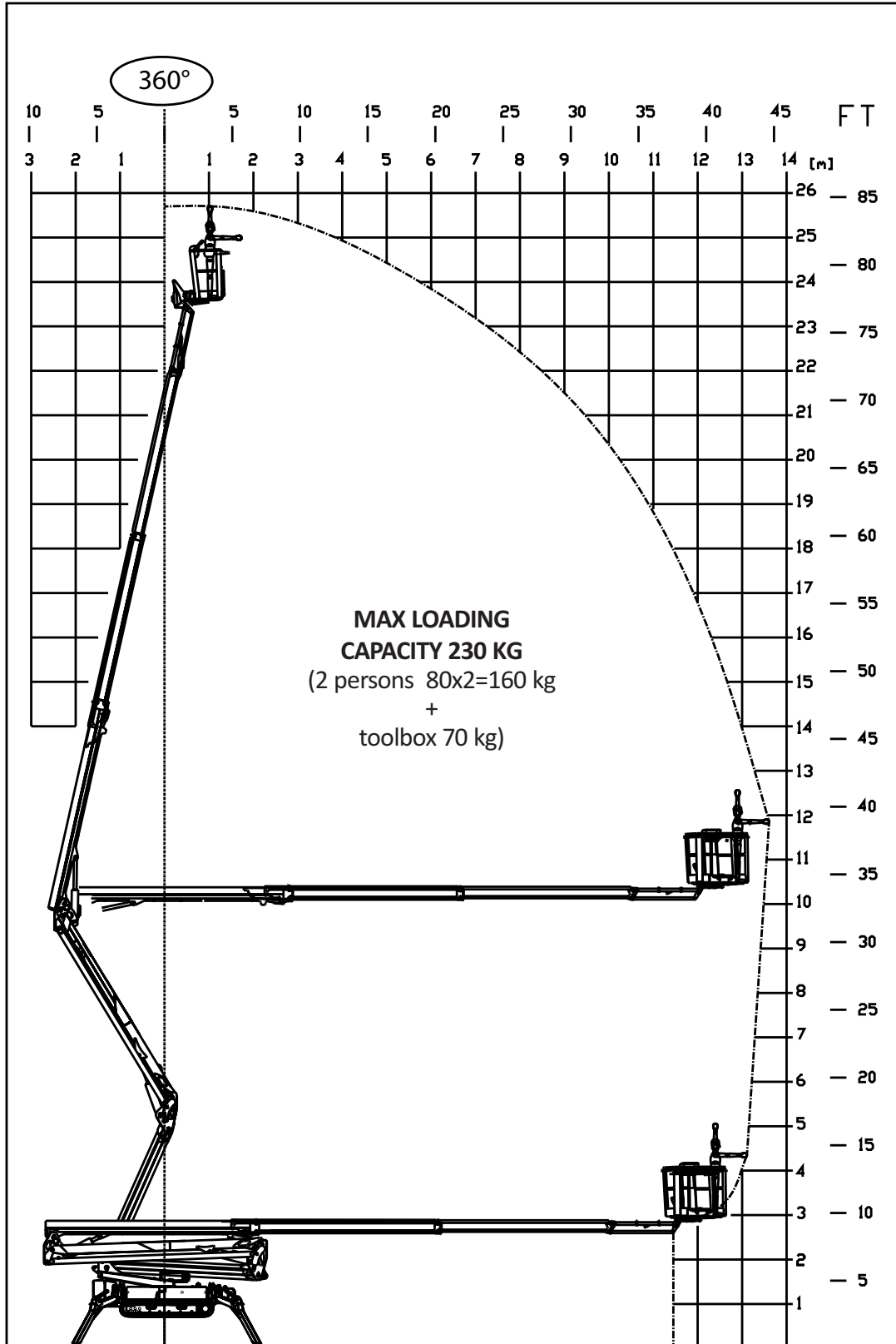
# TRACKED AERIAL PLATFORMS



# LIGHTLIFT 26.14 *PERFORMANCE III*



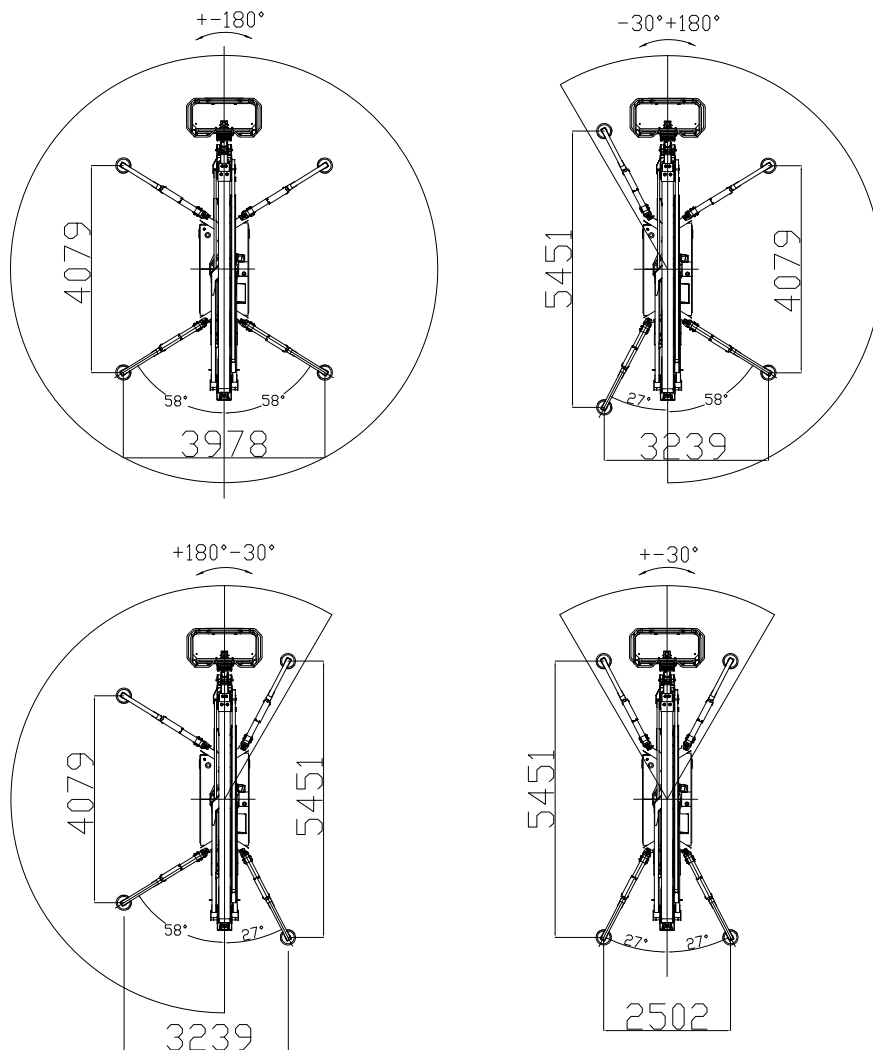
# LIGHTLIFT 26.14 *PERFORMANCE III*



# LIGHTLIFT 26.14 *PERFORMANCE III*

## STANDARD VARIABLE AREA

Outriggers can deploy in different positions.  
This solution enables to set up the machine even in the  
narrowest places





# TRACKED AERIAL PLATFORMS

## LIGHTLIFT 26.14 *PERFORMANCE III S*

### DIESEL ENGINE

Brand .....Kubota  
 Type .....D902 Autorev  
 Pistons no. and displacement .....898 cm<sup>3</sup>  
 Max. gross power.....21,6 HP - 16,1 kW @ 3200 rpm  
 Electrical start ..... 12 volt

### ELECTRIC MOTOR

Standard .....230V / 50 Hz - 2,2 kW  
 Optional .....110V / 50 Hz - 2,2 kW

### HYDRAULIC PUMPS

Pump diesel engine .....no. 2 gear pumps  
 Pump electric motor .....no. 2 gear pumps

### TRACKED UNDERCARRIAGE

Track tensioner .....grease-filled  
 Rollers no. per side .....6 + slide  
 Widening system.....990 / 1490 mm  
 Translation speed (with standard 2<sup>nd</sup> speed) ..... 1,1 - 2 km/h

WEIGHT MACHINE ..... 4365 kg  
 DIESEL FUEL TANK..... 25 liters  
 MAX UPPER SLANT .....16° / 28,7%  
 MAX WIND SPEED ..... 12,5 m/s

# TRACKED AERIAL PLATFORMS



## LIGHTLIFT 26.14 *PERFORMANCE III* LITHIUM ION

### ELECTRIC SYSTEM

Electric system voltage.....	83V-12V
Lithium battery pack.....	8,3 kWh
Autonomy (continuous cycle)*.....	4-5 h
Onboard battery charger.....	220V 50Hz
Optional battery charger.....	110V 50Hz
Recharge time on flat batteries.....	4 h (indicative)
Recharge time to 80% on flat batteries.....	2 h (indicative)

### HYDRAULIC PUMPS

Electric motor.....	no.2 gear pumps
---------------------	-----------------

### TRACKED UNDERCARRIAGE

Track tensioner.....	grease-filled
Rollers no. per side.....	6 + slide
Widening system.....	990 / 1490 mm
Translation speed (with standard 2 <sup>nd</sup> speed).....	0,7 - 1,2 km/h

WEIGHT MACHINE.....	4384 kg
MAX UPPER SLANT.....	16° / 28,7%
MAX WIND SPEED.....	12,5 m/s

\* (Autonomy measured with Hinowa H2 operating cycle)