



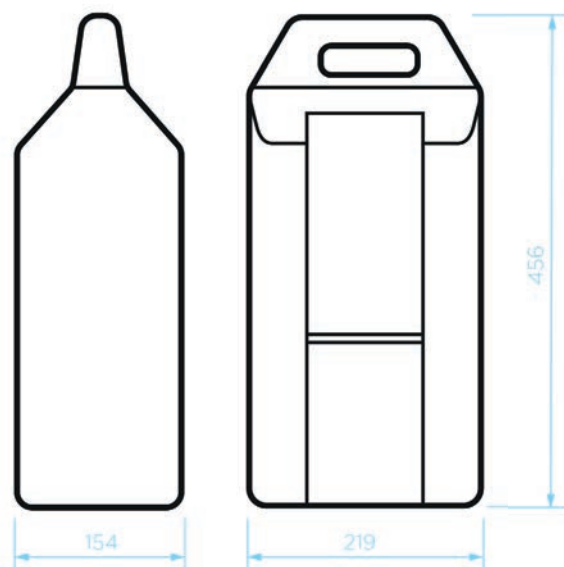
Technische gegevens

Specificaties AGM

Technische gegevens

Nominal voltage	24 V
Nominal capacity	22 Ah/528 Wh
Internal resistance	≤11 mΩ
End of charge voltage	29.4 V
End of charge current	220 mA
End of discharge voltage	23 V (by drive controller)
Charge Method	Max 0,25C, VV/VC
Max. continuous charge current	5,5 A
Nominal discharge current	11 A
Max. pulse discharge current	220 A / 10 sec
Discharge temp.	-20° ~ 50° C
Charging temp.	-10° ~ 50° C
Storage temp.	-10° ~ 50° C
Cycle life	500 x (50% discharge)
Warranty	6 Months
Declarations for dangerous goods	No
Total discharge	No, not possible
Housing material	PE
Inner frame	Galvanised steel, bottom Stainless steel
Battery control	None
Charge/discharge connector	Anderson SB50
Weight	15,5 kg
Safety test for the cell	battery has successfully passed the CE standards testing.

Dimensies



© 2019 Movexx International B.V. The images shown are used for illustration purposes only and may differ from the products indicated. No rights can therefore be derived from it. Printing errors are subjected to change.

Opties



Batterij AGM-VRLA groen
24V / 22Ah
Artikel Nr OPT0110



Lader (extern) voor
AGM batterij, 24V / 5A
Artikel Nr OPT0009



Laadstation AGM
muurmontage
Artikel Nr OPT0015



Laadstation AGM
muurmontage (RVS)
Artikel Nr OPT0015-RVS

Opties



Laadstation AGM
muurmontage (5x)
Artikel Nr OPT0039



Laadstation AGM RVS
muurmontage (5x)
Artikel Nr OPT0039-RVS



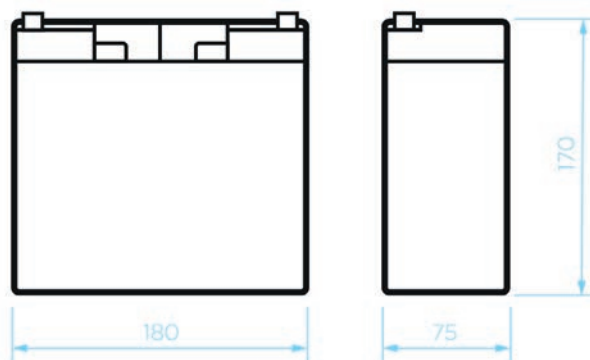
UPGRADE naar:
enkelvoudig laadstation
(voor AGM of Lithium)
Artikel Nr OPT0261

Specificaties AGM

Technische gegevens

Nominal voltage	12 V
Nominal capacity	22 Ah
Internal resistance	≤11 mΩ
End of charge voltage	14,7 V
End of charge current	220 mA
End of discharge voltage	11,5 V (by drive controller)
Charge Method	Max 0,25C, VV/VC
Max. continuous charge current	5,5 A
Nominal discharge current	11 A
Max. pulse discharge current	220 A / 10 sec
Discharge temp.	-20° ~ 50° C
Charging temp.	-10° ~ 50° C
Storage temp.	-10° ~ 50° C
Cycle life	500 x (50% discharge)
Warranty	6 Months
Declarations for dangerous goods	No
Total discharge	No, not possible
Battery control	None
Weight	6 kg
Safety test for the cell	battery has successfully passed the CE standards testing.

Dimensies



Opties



Batterij AGM-VRLA blok
12V / 22Ah
Item number M0076

Opties



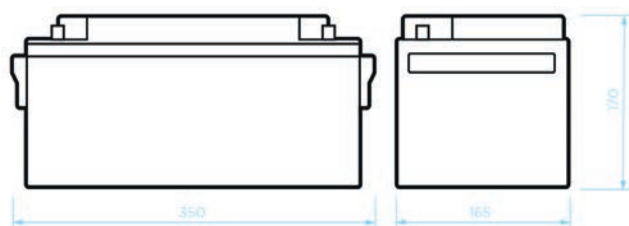
Acculader (ingebouwd)
AGM batterij, 24V / 5A
+ externe conditiemeter
Artikel Nr M0246

Specificaties AGM

Technische gegevens

Nominal voltage	12 V
Nominal capacity	80Ah 960Wh
Internal resistance	≤11 mΩ
End of charge voltage	14,7 V
End of charge current	800 mA
End of discharge voltage	11,5 V (by drive controller)
Charge Method	Max 0,25C, VV/VC
Max. continuous charge current	20 A
Nominal discharge current	40 A
Max. pulse discharge current	800 A / 10 sec
Discharge temp.	-20° ~ 50° C
Charging temp.	-10° ~ 50° C
Storage temp.	-10° ~ 50° C
Cycle life	500 x (50% discharge)
Warranty	6 Months
Declarations for dangerous goods	No
Total discharge	No, not possible
Battery control	None
Weight	22,5 kg
Safety test for the cell	battery has successfully passed the CE standards testing.

Dimensies



Opties



Acculader (intern) voor AGM Batterij, 24V / 10A + externe conditiemeter
Artikel Nr M2134

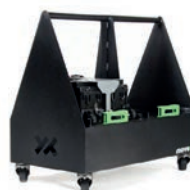


Vorbereiding Laadstation
Artikel Nr OPT0352

Opties



Batterij AGM-VRLA
12V / 80Ah
Artikel Nr M2102



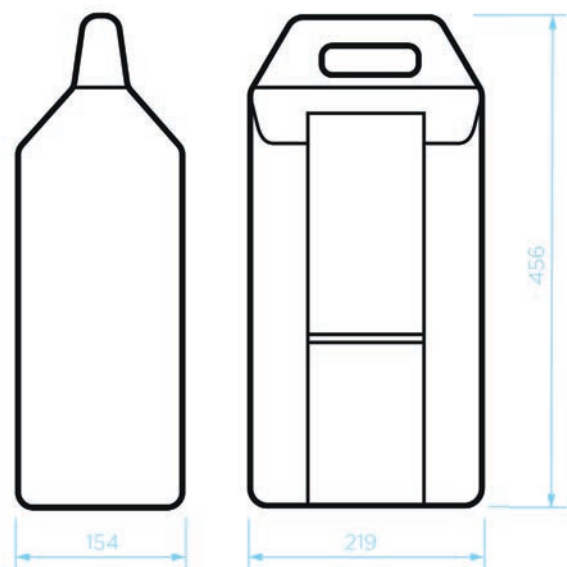
AGM Acculader roll-on/off (inkl. 1 Batterij blok 24V / 80Ah)
Artikel Nr OPT0071

Specificaties Lithium LiFePO4

Technische gegevens

Nominal voltage	25,6 V
Nominal capacity	36 Ah/921 Wh
Internal resistance	≤80 mΩ
End of charge voltage	29.2 V
End of charge current	700 mA
End of discharge voltage	20 V (controlled by BMS)
Charge Method	Max 1C, CC/CV
Max. continuous charge current	36 A
Nominal discharge current	50 A
Max. pulse discharge current	100 A / 10 sec
Discharge temp.	-20° / 55° C
Charging temp.	0° / 45° C
Storage temp.	-10° / 45° C
Cycle life	>1.500 x
Warranty	12 Months
Declarations for dangerous goods	Yes (SDS and MSDS available)
Total discharge	Yes, is possible
Housing material	PE
Inner frame	Galvanised steel, bottom Stainless steel
Battery control	Internal build-in battery management system
Charge/discharge connector	Anderson SB50
Weight	11.5 kg
Safety test for the cell	battery has successfully passed the CE standards testing.

Dimensies



Opties



Batterij Lithium groen
(LiFePO4) 25,6V / 36Ah
Artikel Nr OPT0106



Lader (extern) voor
Lithium batterij 25,6V / 10A
Artikel Nr OPT0013



UPGRADE naar Lithium
batterij + lader
Artikel Nr OPT0107



Laadstation Lithium
muurmontage
Artikel Nr OPT0023

Opties



Laadstation Lithium
muurmontage (RVS)
Artikel Nr OPT0023-RVS



Laadstation Lithium
muurmontage (5x)
Artikel Nr OPT0029



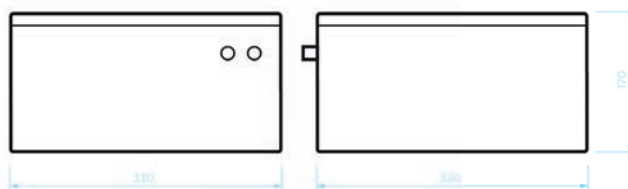
UPGRADE naar:
enkelvoudig laadstation
(voor AGM of Lithium)
Artikel Nr OPT0261

Specificaties Lithium LiFePO4

Technische gegevens

Nominal voltage	25,6 V
Nominal capacity	120 Ah/3072 Wh
Internal resistance	≤11 mΩ
End of charge voltage	29.2 V
End of charge current	Not available
End of discharge voltage	23 V (by drive controller)
Charge Method	Max 1C, CC/CV
Max. continuous charge current	24 A
Nominal discharge current	100 A
Max. pulse discharge current	200 A / 100 m/sec
Discharge temp.	-20° / 55° C
Charging temp.	0° / 45° C
Storage temp.	-10° / 45° C
Cycle life	>1.500 x
Warranty	12 Months
Declarations for dangerous goods	Yes (SDS and MSDS available)
Total discharge	Yes, is possible
Housing material	Steel coated
Inner frame	Galvanised steel, bottom Stainless steel
Battery control	Internal build-in battery management system
Charge/discharge connector	Anderson SB120
Weight	33 kg
Safety test for the cell	battery has successfully passed the CE standards testing.

Dimensies



Opties



Batterij Lithium
25,6V / 120Ah (LiFePO4)
Artikel Nr M2911



Acculader (intern)
Lithium batterij 25,6V/10A
+ externe conditiemeter
Artikel Nr M0382



UPGRADE:
Batterij Lithium
25,6V / 120Ah (LiFePO4)
Artikel Nr OPT0459

Opties



Vorbereitung Laadstation
Artikel Nr OPT0352



Lithium Ladegerät
roll-on/off (ink. 1 Batterie-
satz 25,6V / 120Ah)
Artikel Nr OPT0460

toepassingen



move 
driven by brain power

 **ASP**
Handling

ASP bvba
Baanakkerweg 3
B-3060 Bertem

+32 (0)16 36 12 24
info@asp-online.be
www.asp-online.be