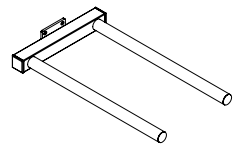
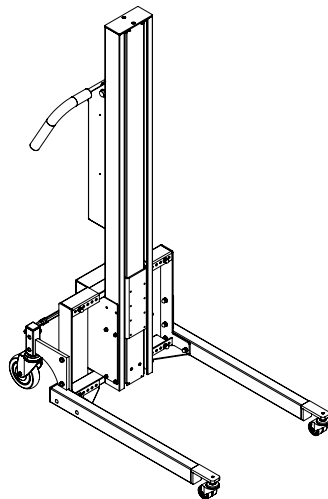
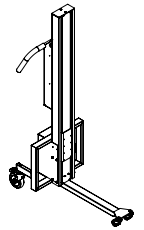
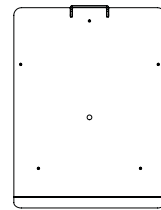
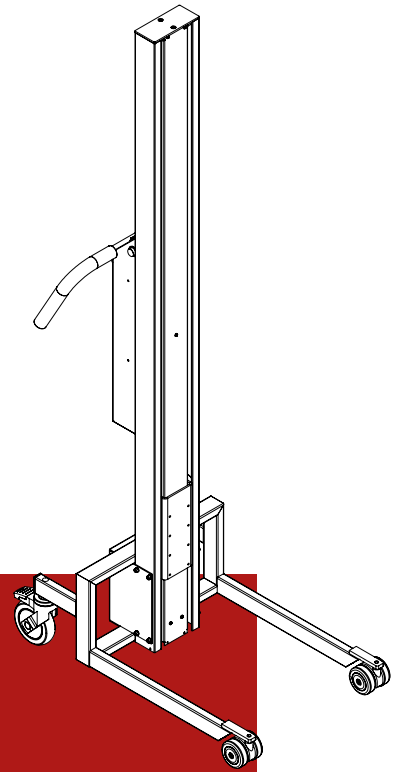


# IMPACT 80 LIFTERS & TOOLS

- DRAWINGS & MEASUREMENTS

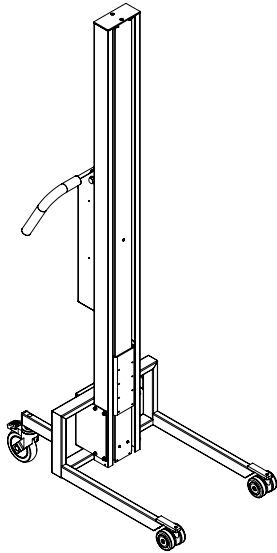


ASP bvba  
Baanakkerweg 3  
B-3060 Bertem

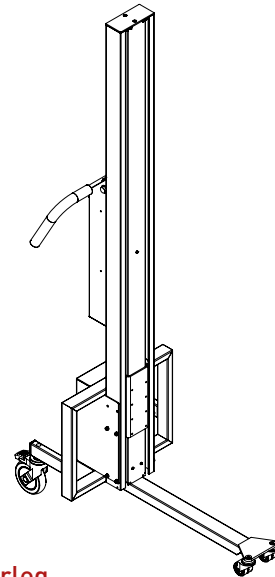
+32 (0)16 36 12 24  
info@asp-online.be  
www.asp-online.be

# IMPACT 80

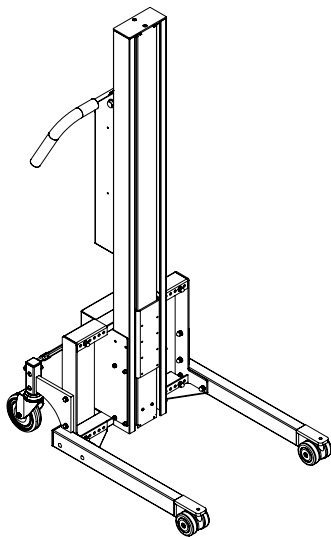
## 2 MAST HEIGHTS AND 21 LEG/WHEEL OPTIONS



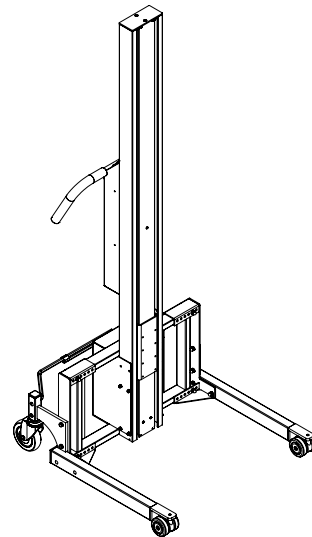
80 L/M standard legs



80 L/M Centerleg



80 L/M FC - Flexleg type 1

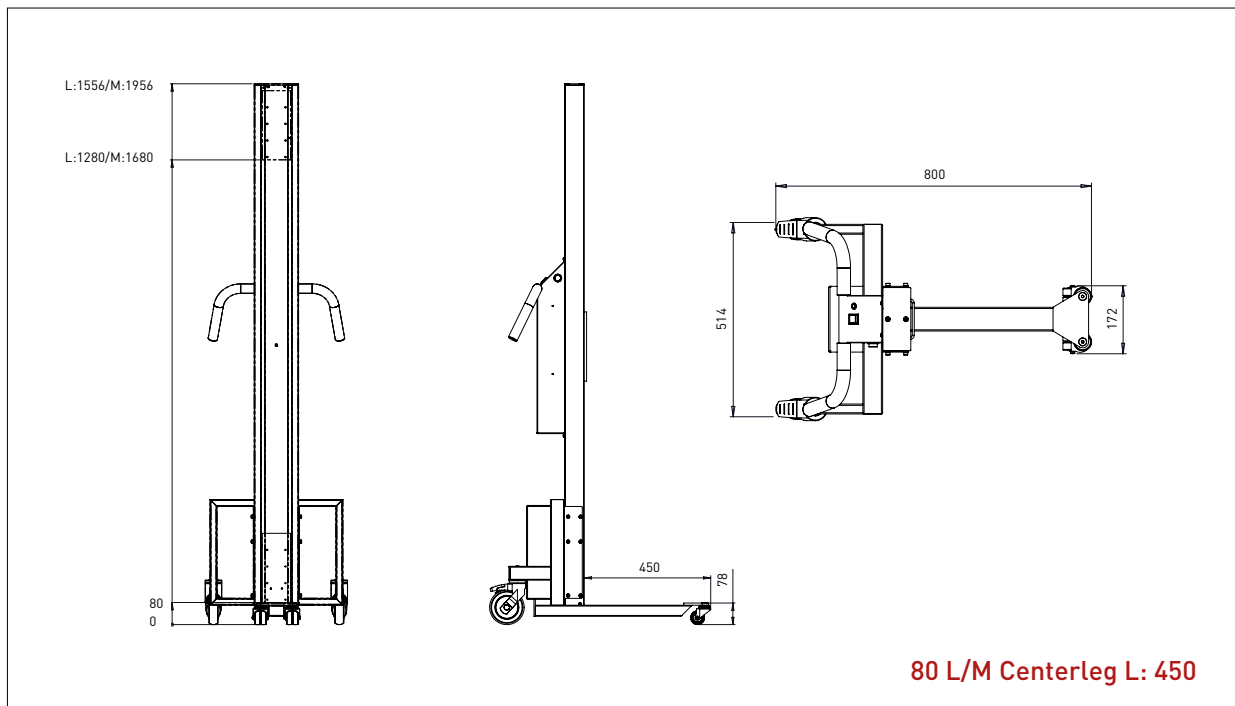
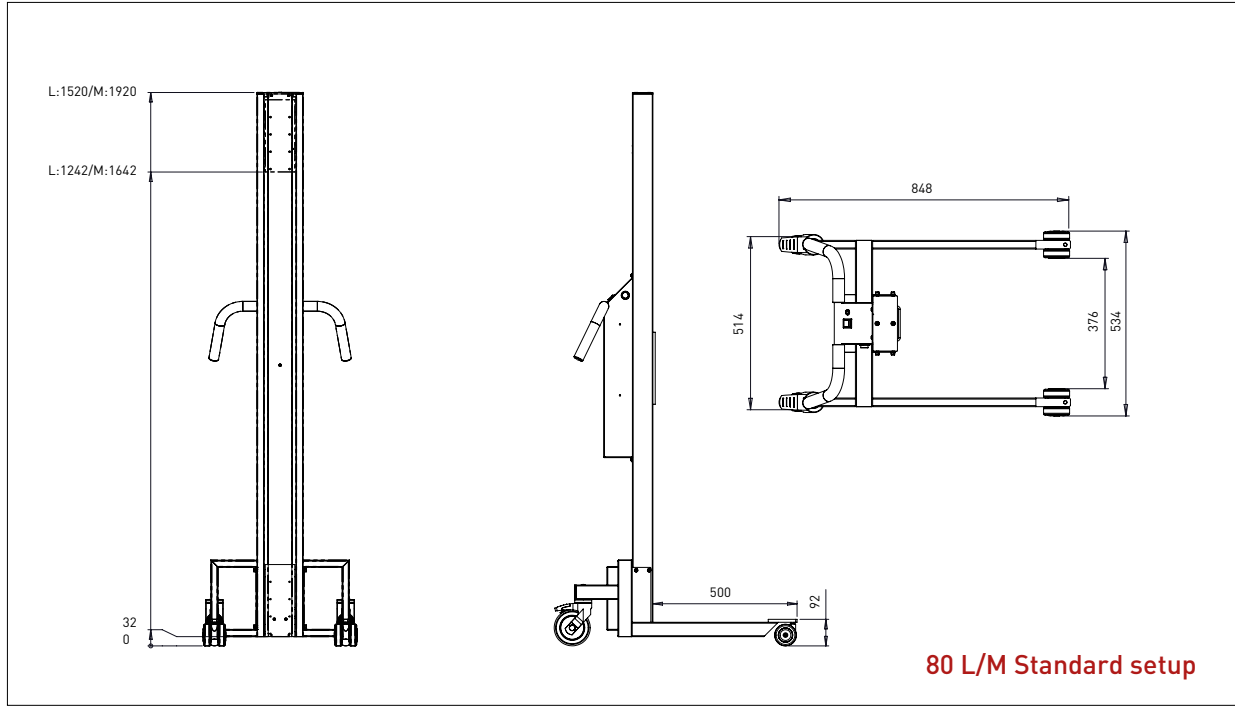


80 L/M FC - Flexleg type 2

# IMPACT 80

## LIFTERS - DRAWINGS & MEASUREMENTS

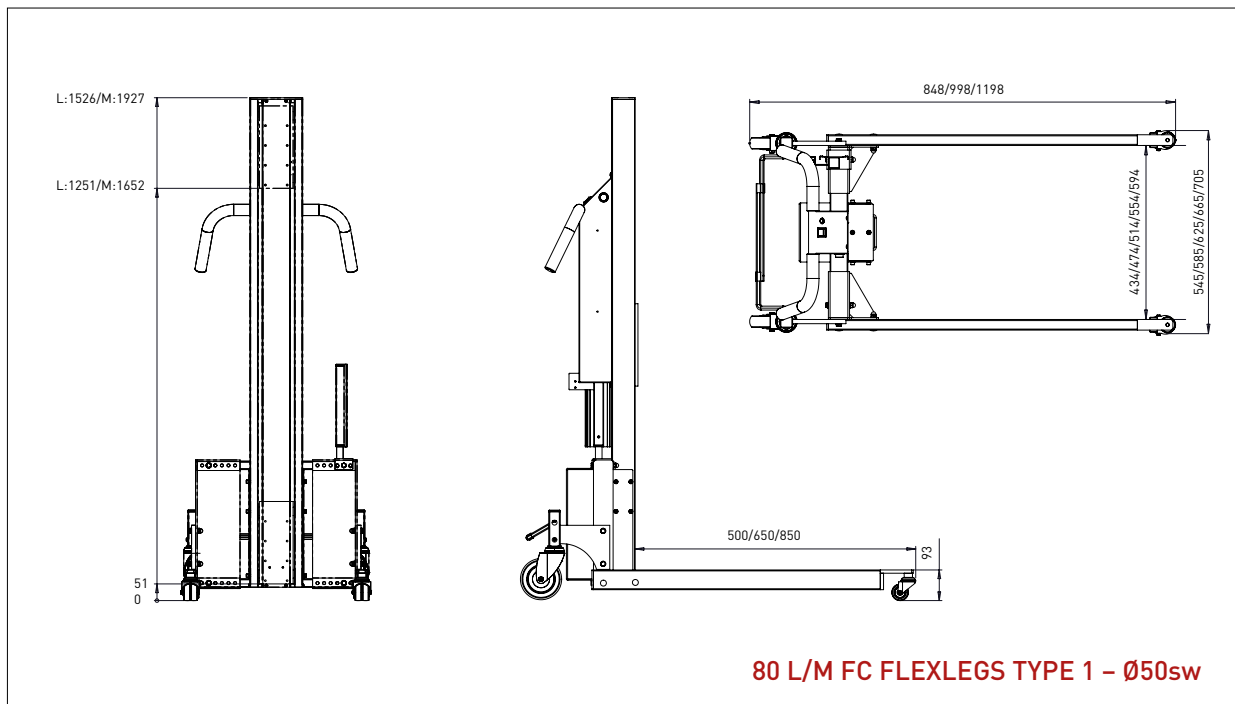
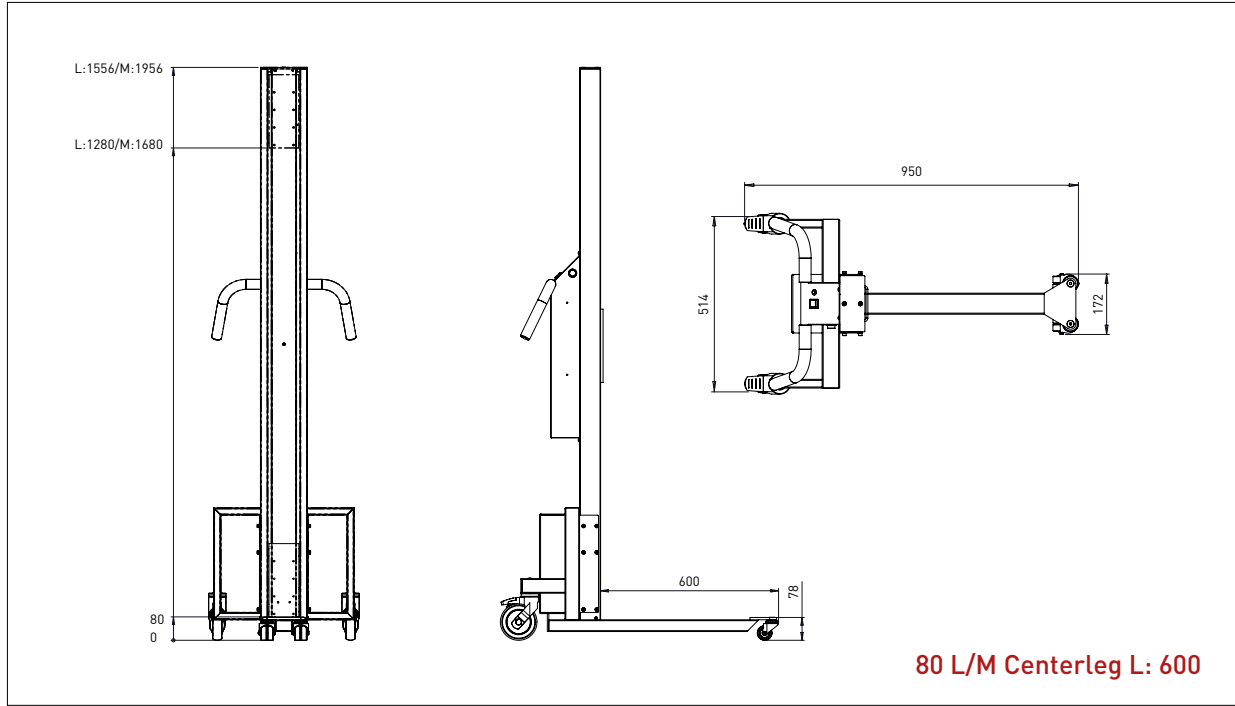
- All measurements in mm



# IMPACT 80

## LIFTERS - DRAWINGS & MEASUREMENTS

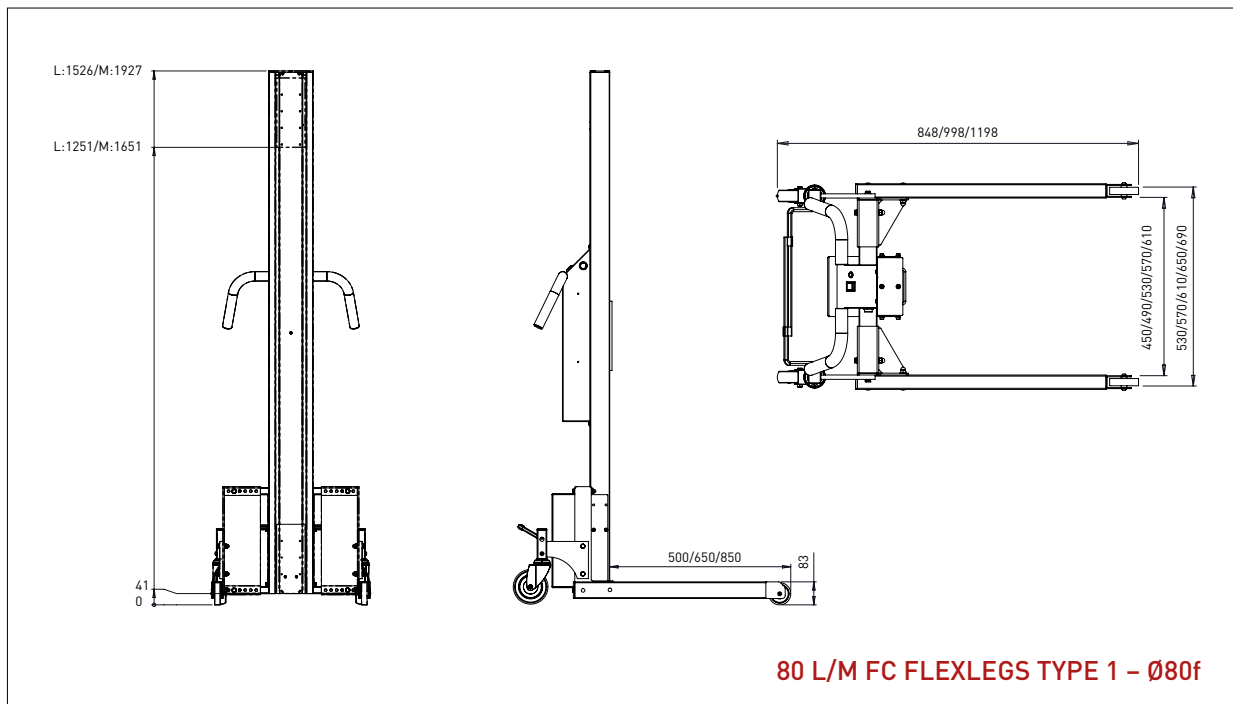
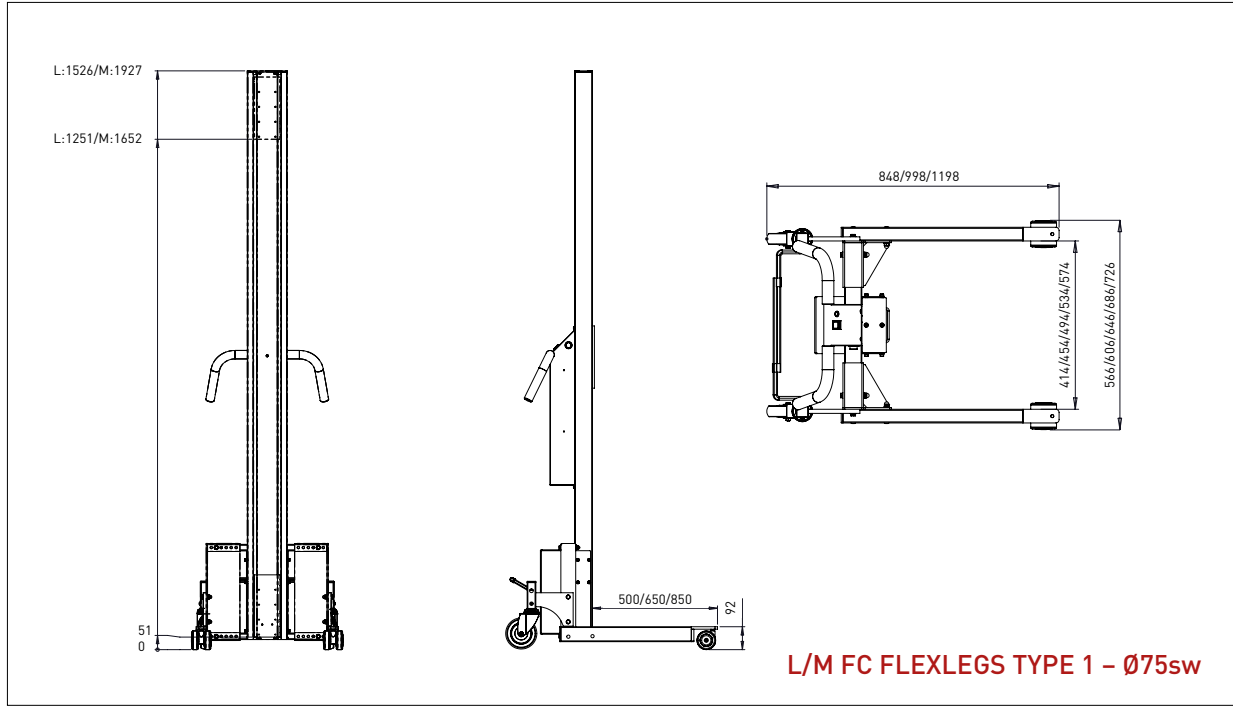
- All measurements in mm



# IMPACT 80

## LIFTERS - DRAWINGS & MEASUREMENTS

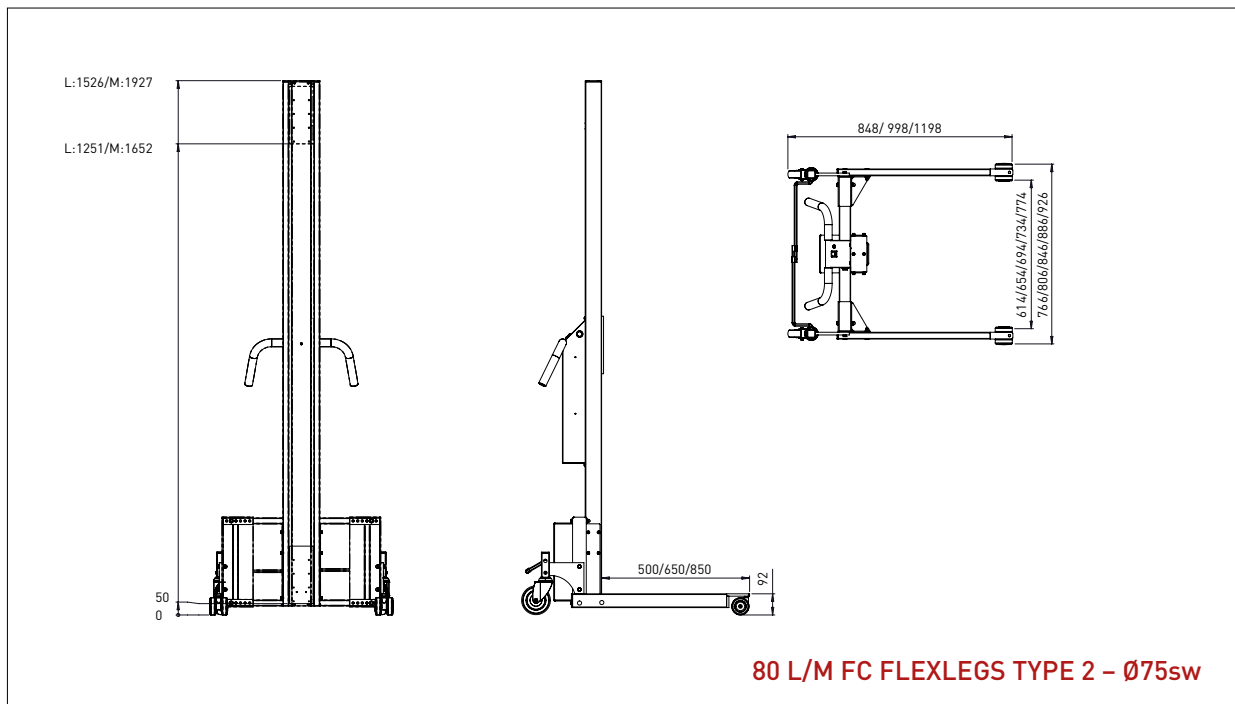
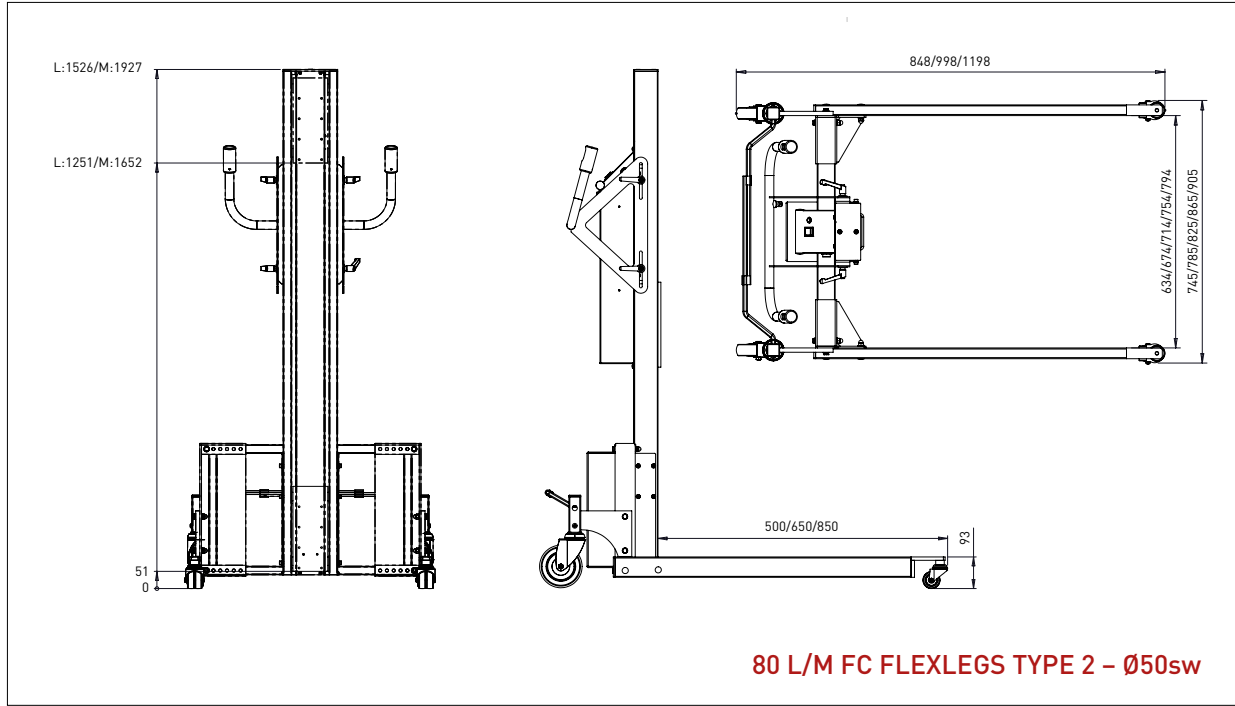
- All measurements in mm



# IMPACT 80

## LIFTERS - DRAWINGS & MEASUREMENTS

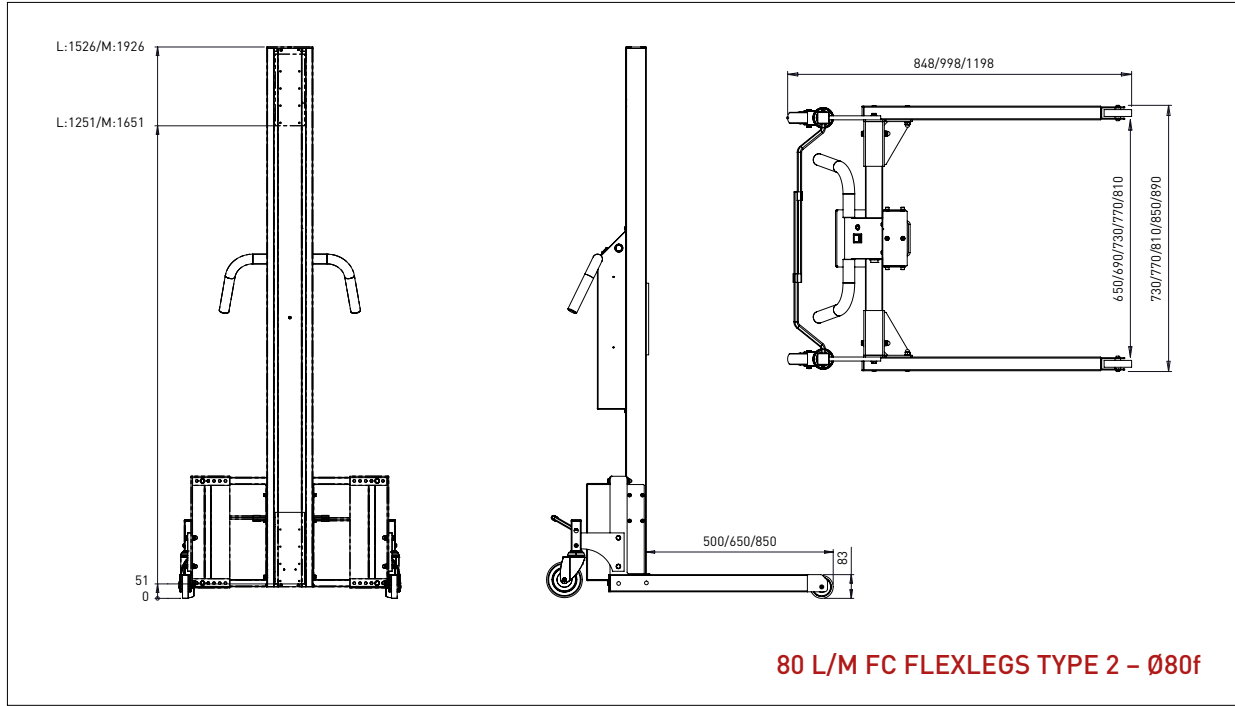
- All measurements in mm



# IMPACT 80

## LIFTERS - DRAWINGS & MEASUREMENTS

- All measurements in mm



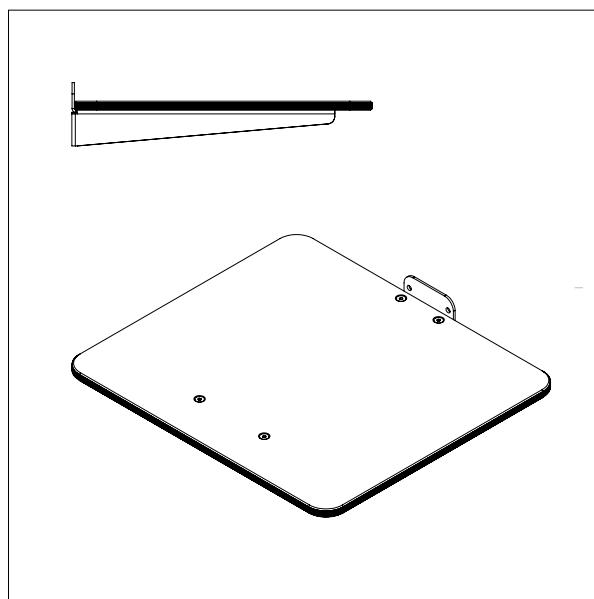
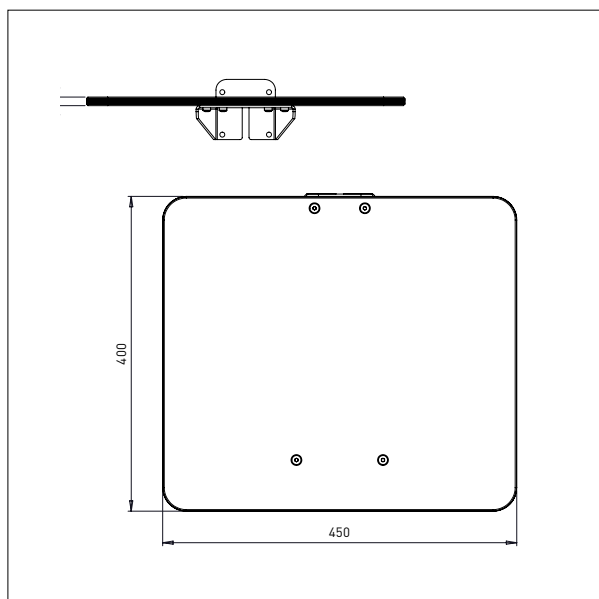
# IMPACT 80 / TOOLS

## PLATFORMS WOOD

- All measurements in mm

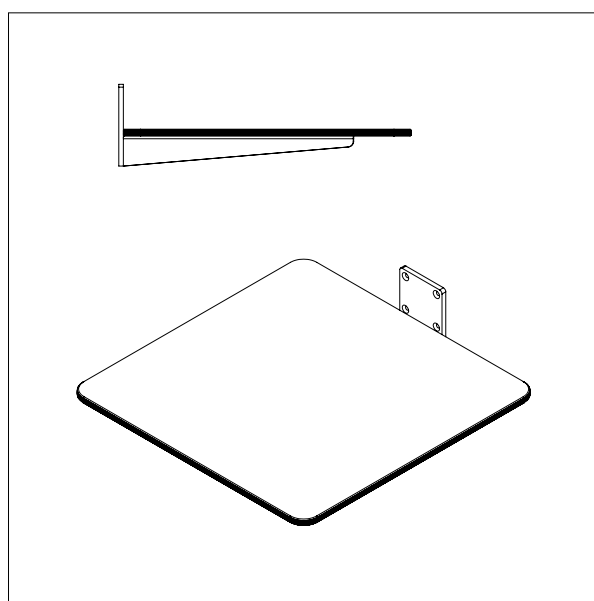
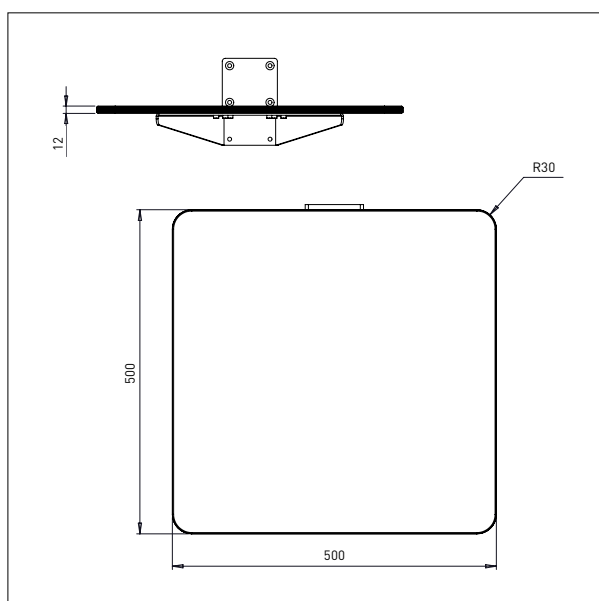
### PLATFORM WOOD - W1

L x W: 400 x 450 mm



### PLATFORM WOOD - W2

L x W: 500 x 500 mm





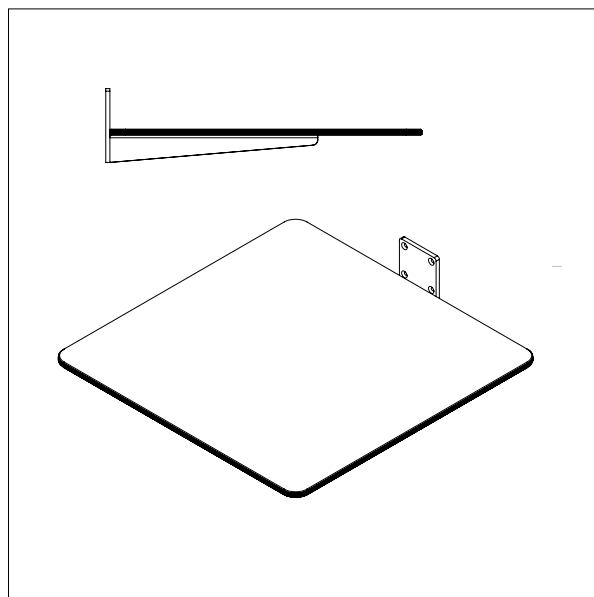
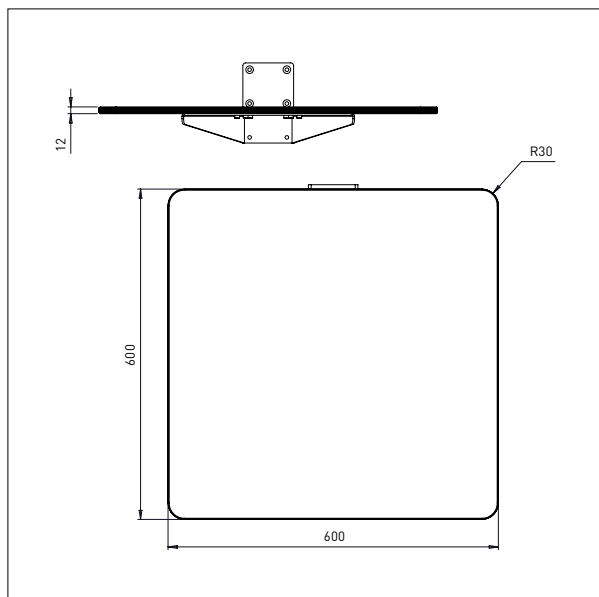
# IMPACT 80 / TOOLS

## PLATFORM WOOD

- All measurements in mm

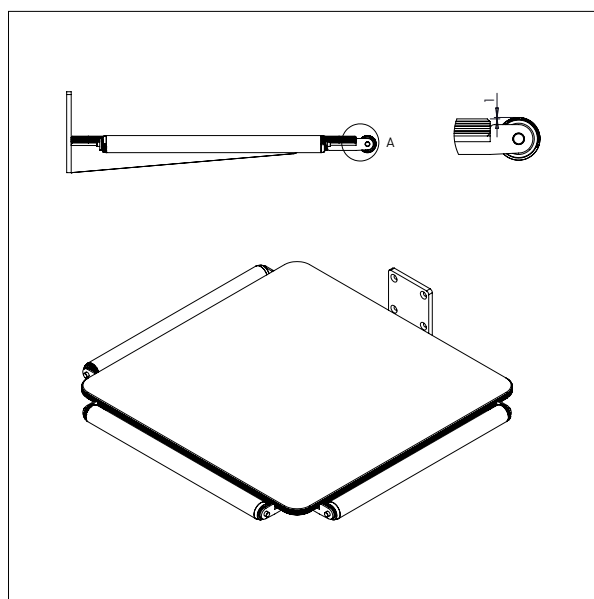
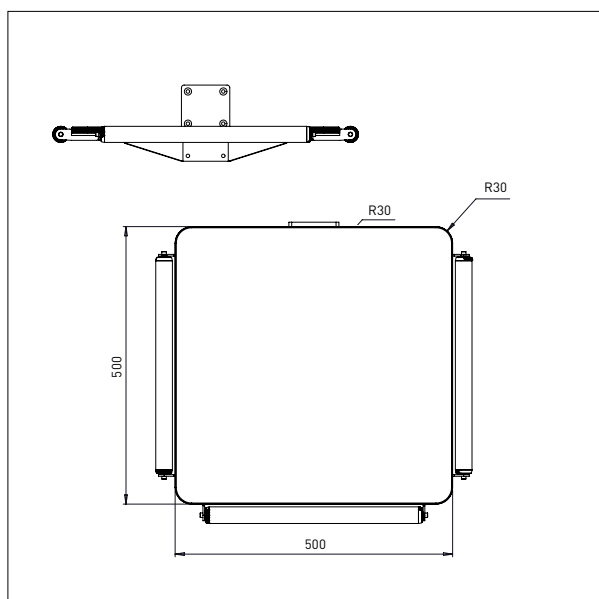
### PLATFORM WOOD - W3

L x W: 600 x 600 mm



### PLATFORM WOOD WITH ROLLER - W4

L x W: 500 x 500 mm



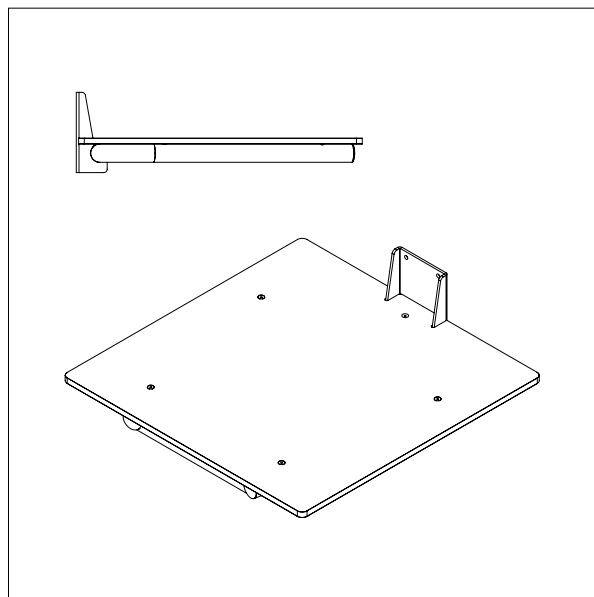
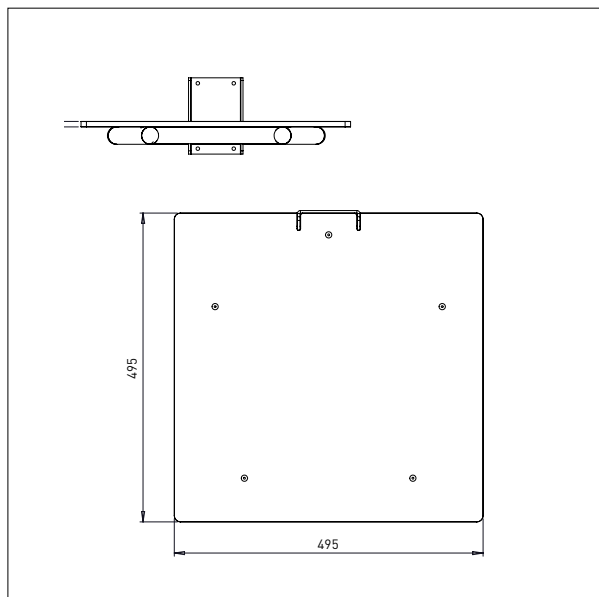
# IMPACT 80 / TOOLS

## PLATFORMS PEHD (PLASTIC)

- All measurements in mm

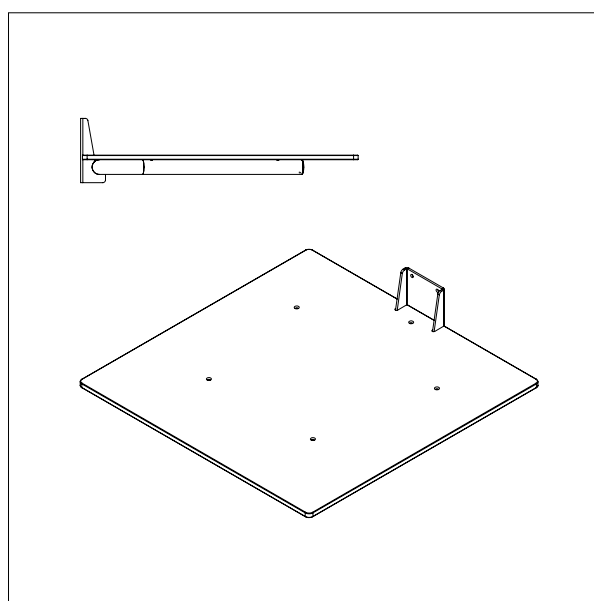
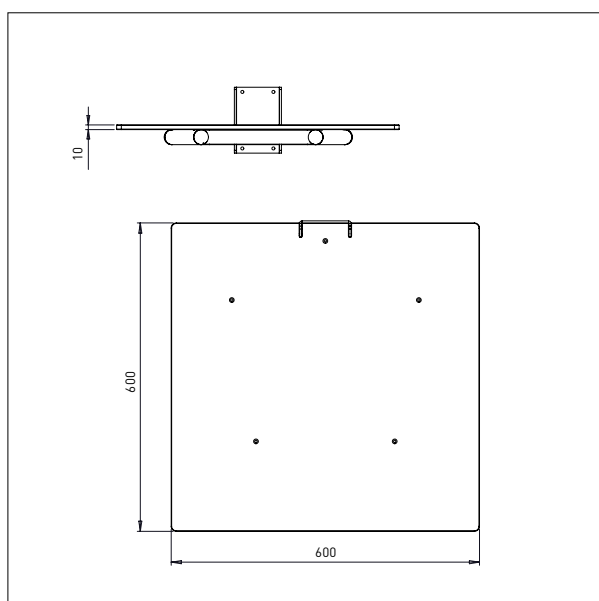
### PLATFORM PEHD – KP1

L x W: 495 x 495 mm



### PLATFORM PEHD – KP2

L x W: 600 x 600 mm



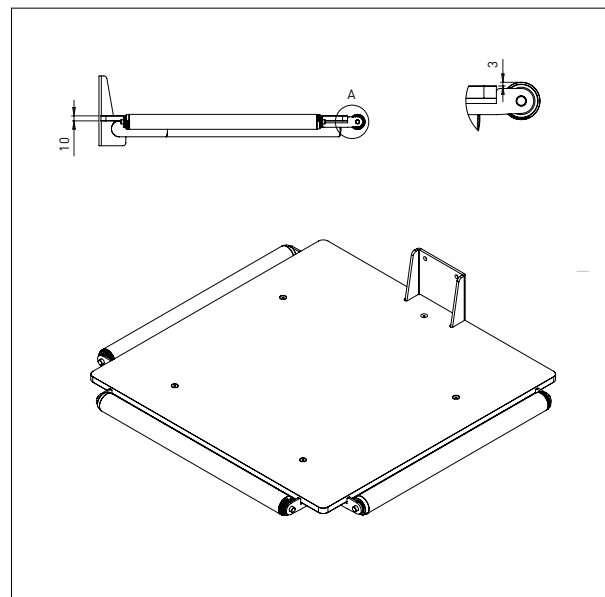
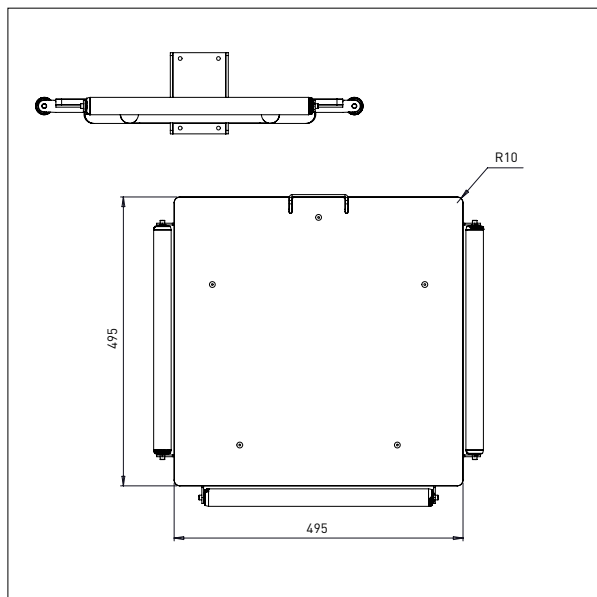
# IMPACT 80 / TOOLS

## PLATFORM PEHD (PLASTIC)

- All measurements in mm

### PLATFORM PEHD WITH ROLLER – KP3

L x W: 495 x 495 mm



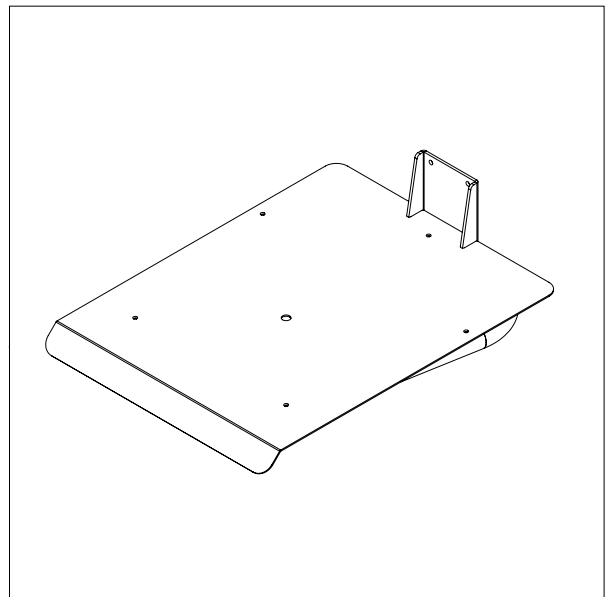
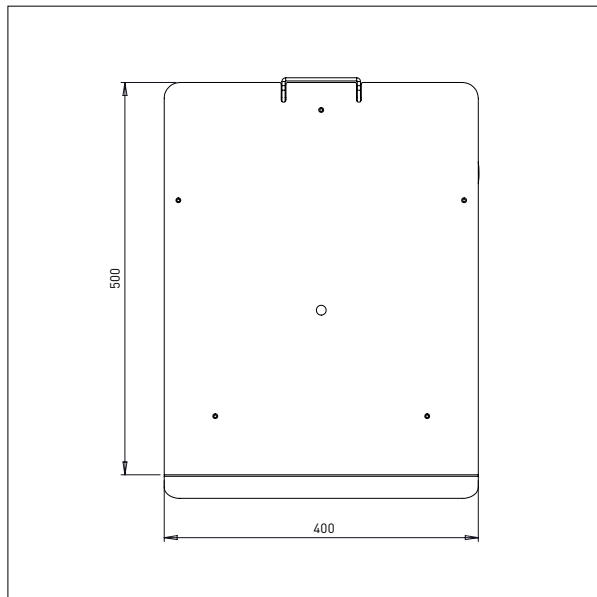
# IMPACT 80 / TOOLS

## PLATFORMS STAINLESS

- All measurements in mm

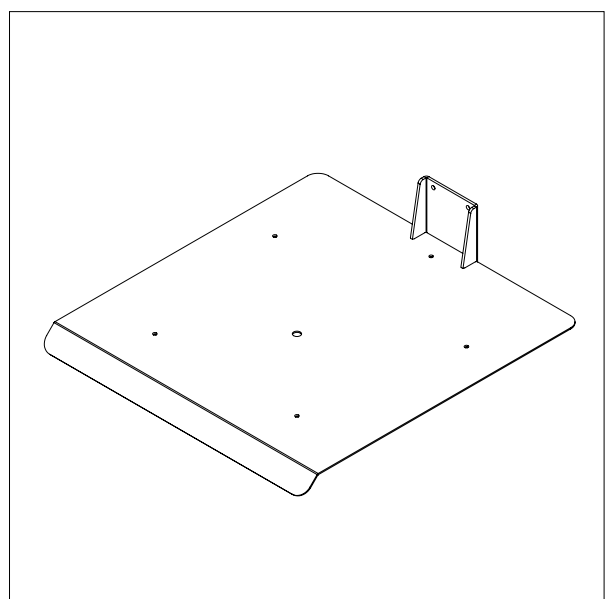
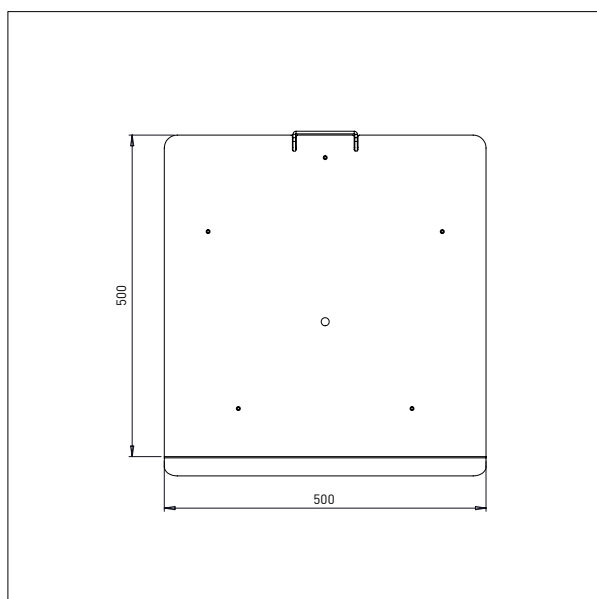
### PLATFORM STAINLESS – EP1

L x W: 500 x 400 mm



### PLATFORM STAINLESS – EP2

L x W: 500 x 500 mm



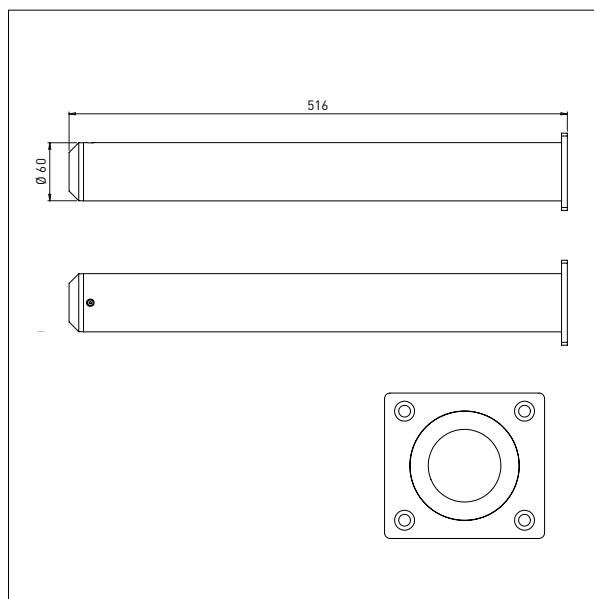
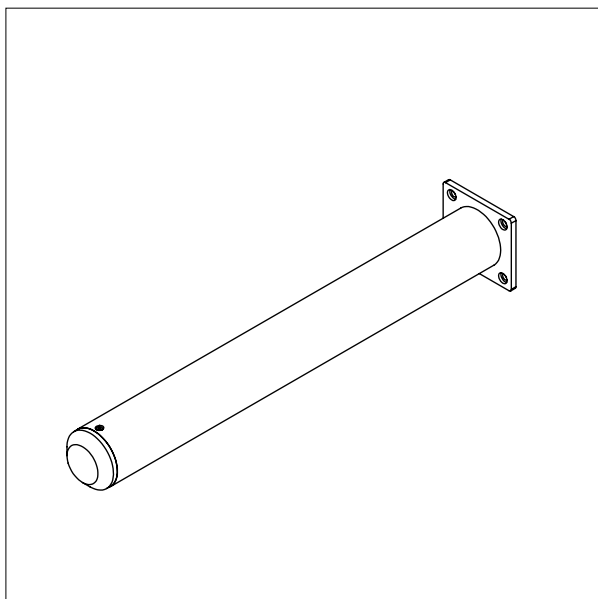
# IMPACT 80 / TOOLS

## BOOMS

- All measurements in mm

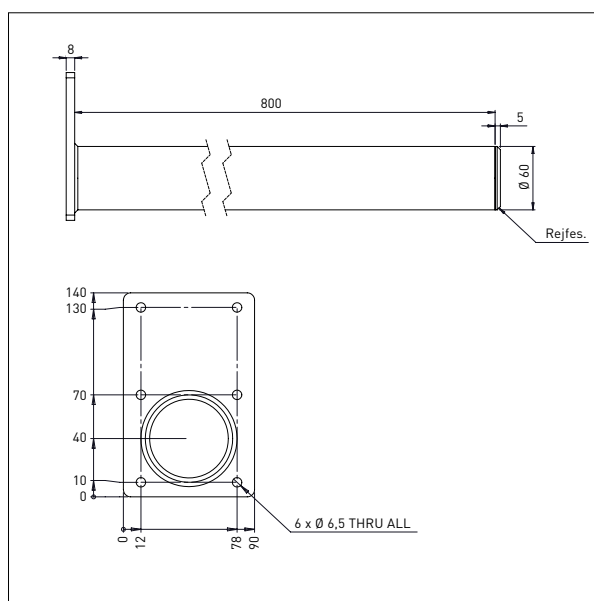
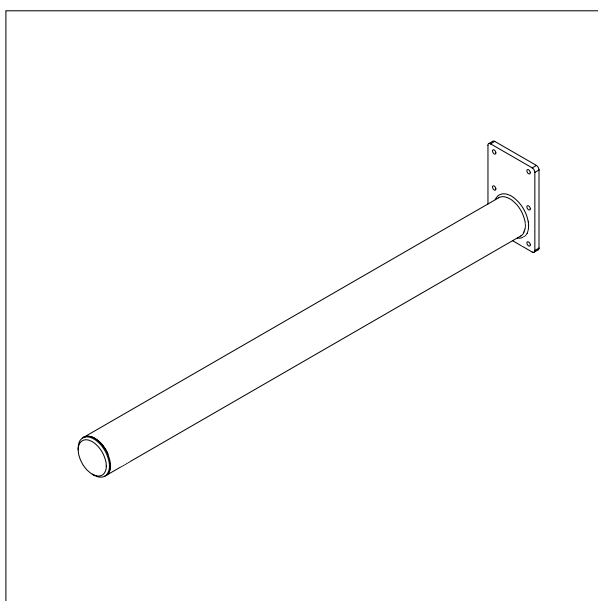
### BOOM - D1

Ø x L: 60 x 500 mm



### BOOM - D2

Ø x L: 60 x 800 mm



# IMPACT 80 / TOOLS

## DOUBLE BOOMS

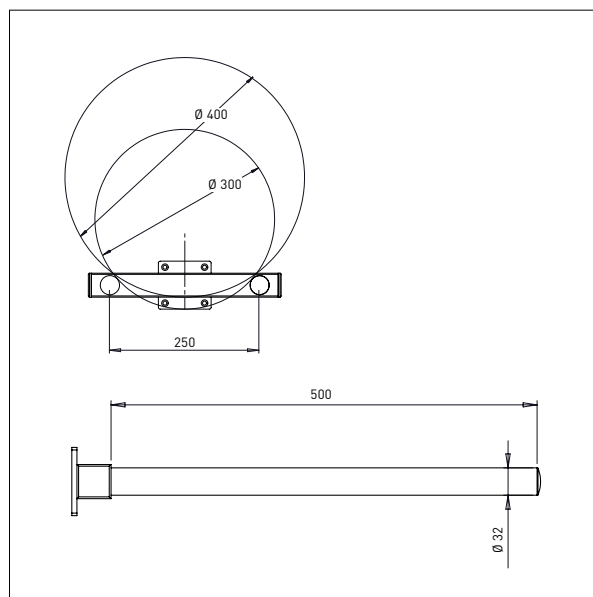
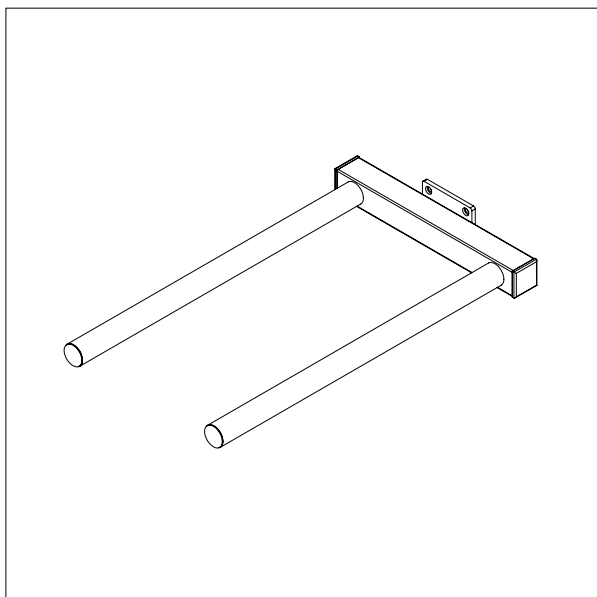
- All measurements in mm

### DOUBLE BOOM – DD1

Ø x L x W: 32 x 500 x 250 mm

Min. width of reel: Ø 300 mm

Max. width of reel: Ø 400 mm

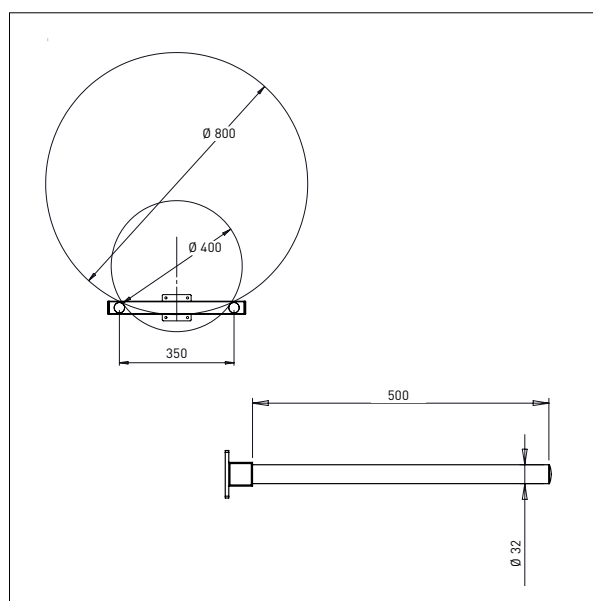
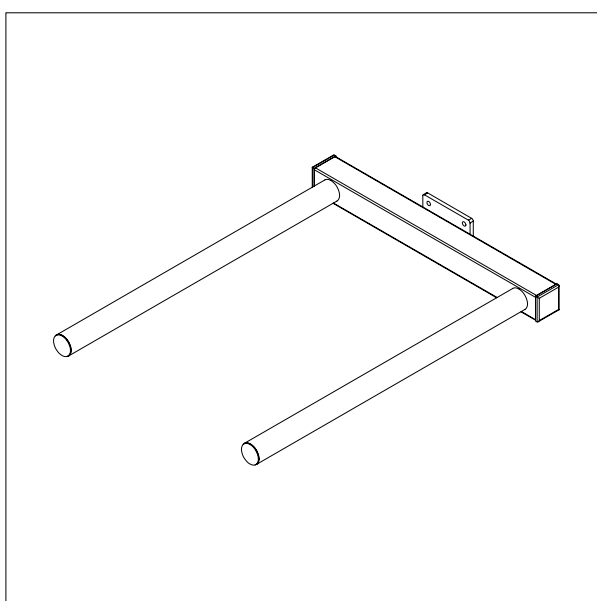


### DOUBLE BOOM – DD2

Ø x L x W: 32 x 500 x 350 mm

Min. width of reel: Ø 400 mm

Max. width of reel: Ø 800 mm



# IMPACT 80 / TOOLS

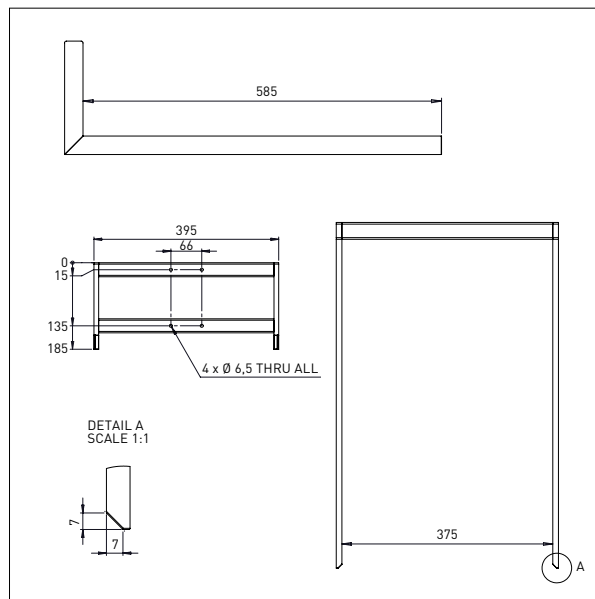
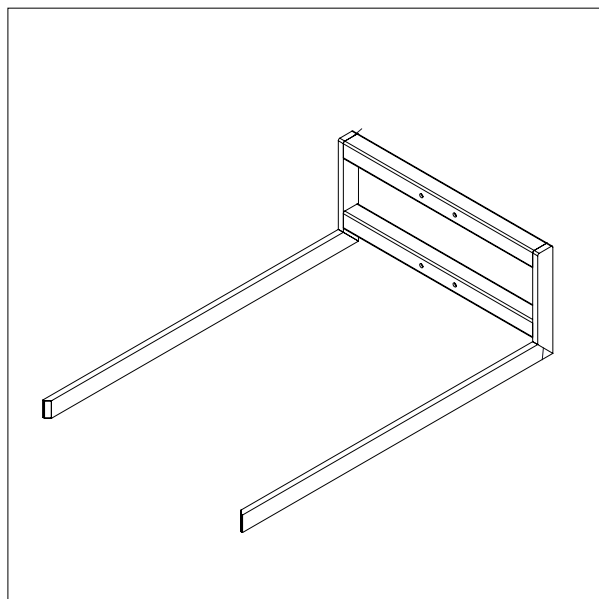
## FORKS

- All measurements in mm

### FORK - G1

L x W: 585 x 375 mm

For 600 x 400 mm boxes

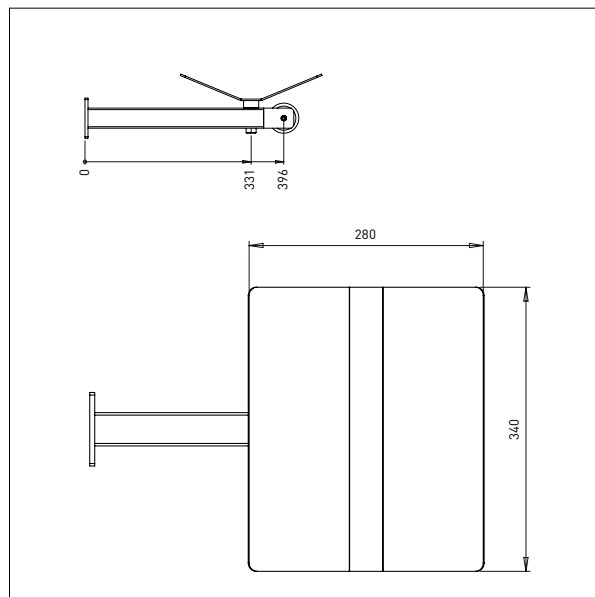
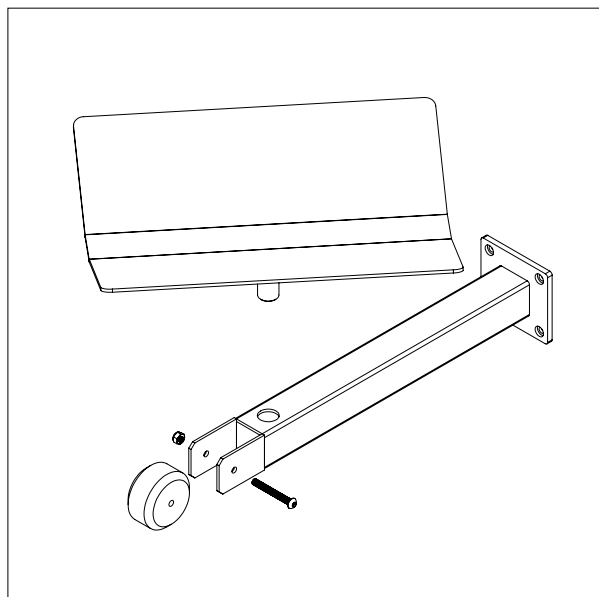


# IMPACT 80 / TOOLS

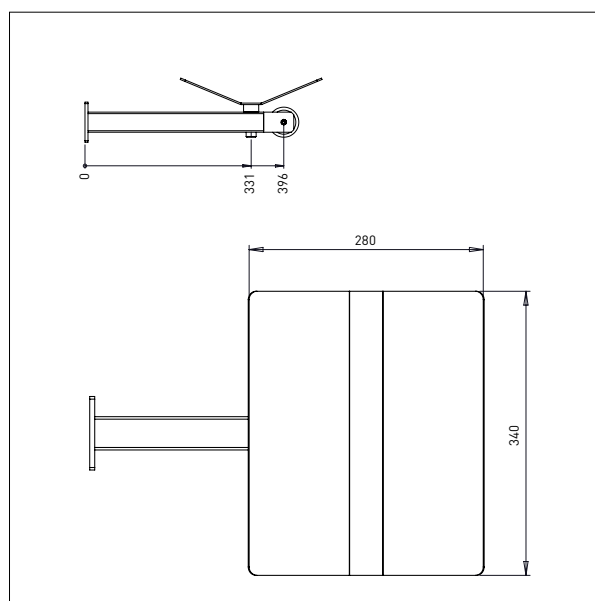
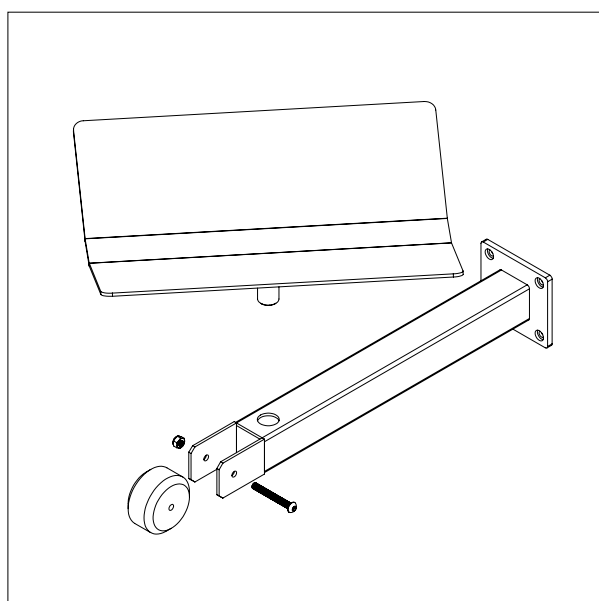
## BOOM + V-BLOCK

- All measurements in mm

### BOOM + V-BLOCK – DVB1



### BOOM + V-BLOCK – DVB2 (STAINLESS STEEL)





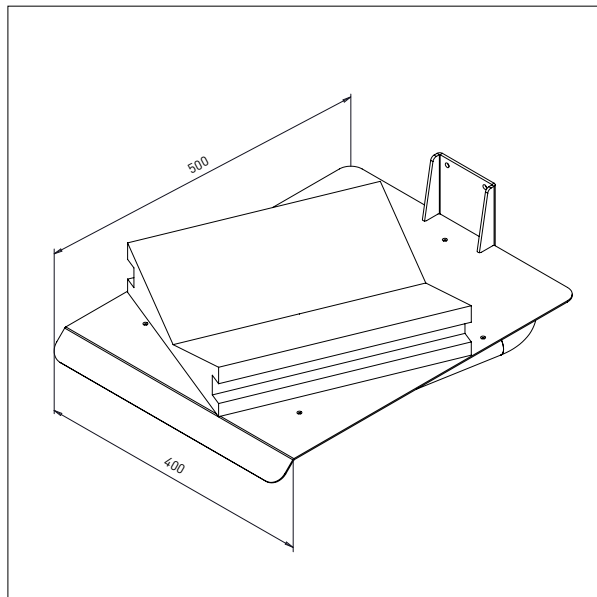
# IMPACT 80 / TOOLS

## PLATFORM + V-BLOCK

- All measurements in mm

### PLATFORM + V-BLOCK - EPV

Platform: 500 x 400



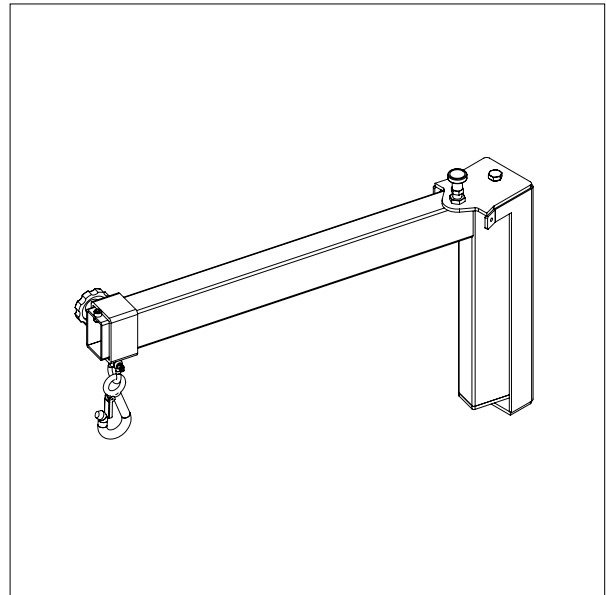
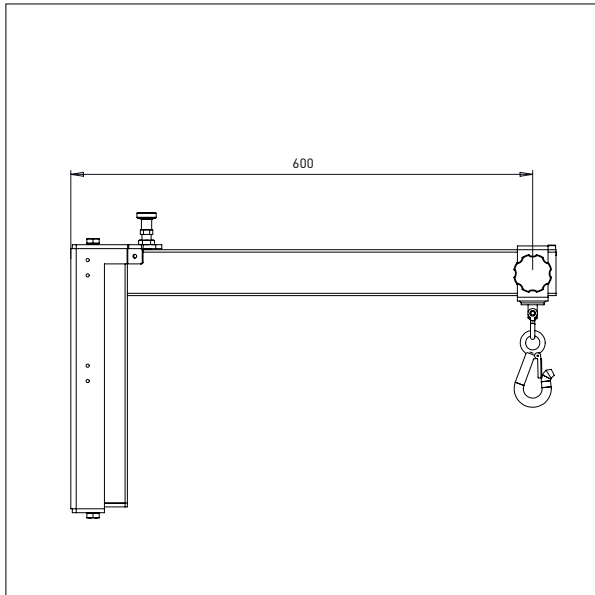
# IMPACT 80 / TOOLS

## CRANE ARMS

- All measurements in mm

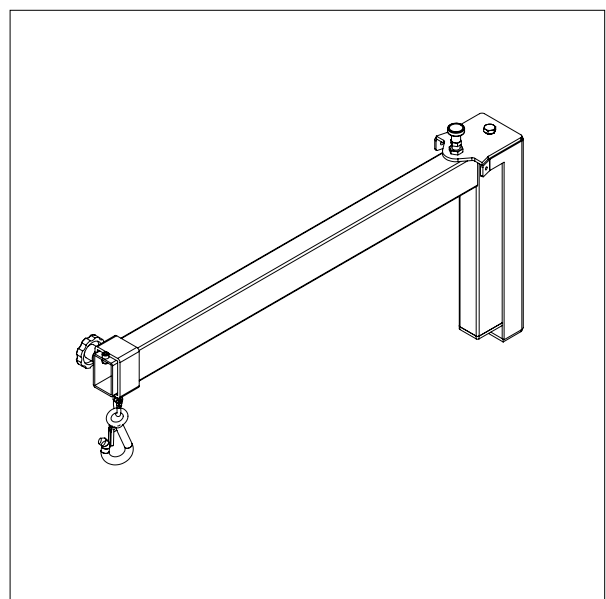
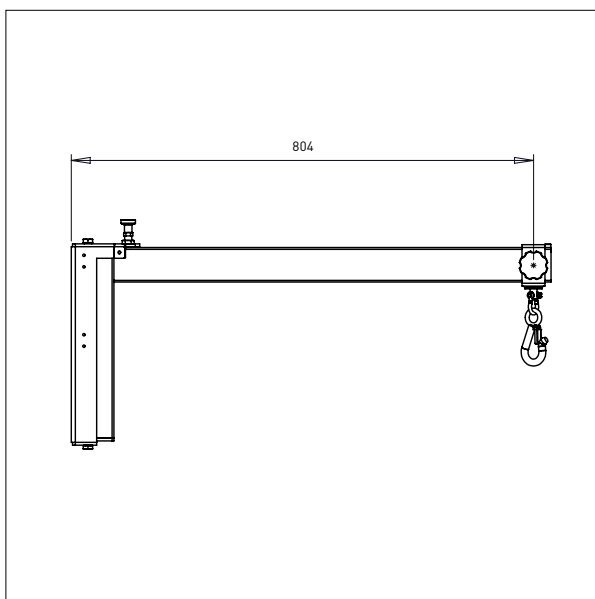
### CRANE ARM - KA1

L: 600



### CRANE ARM - KA2

L: 800

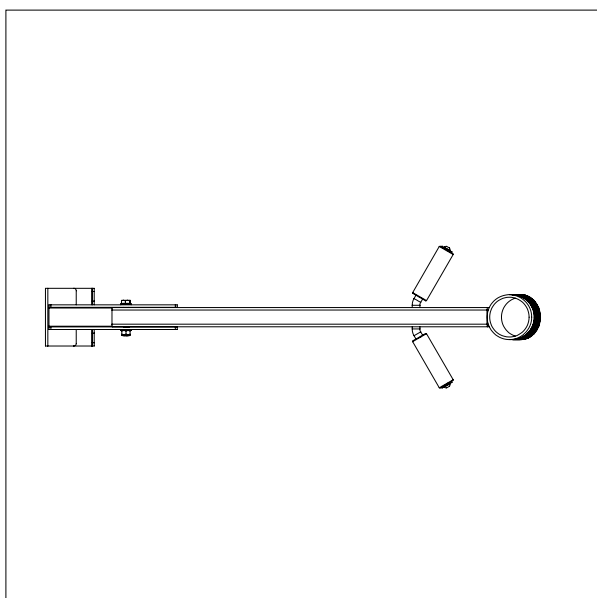
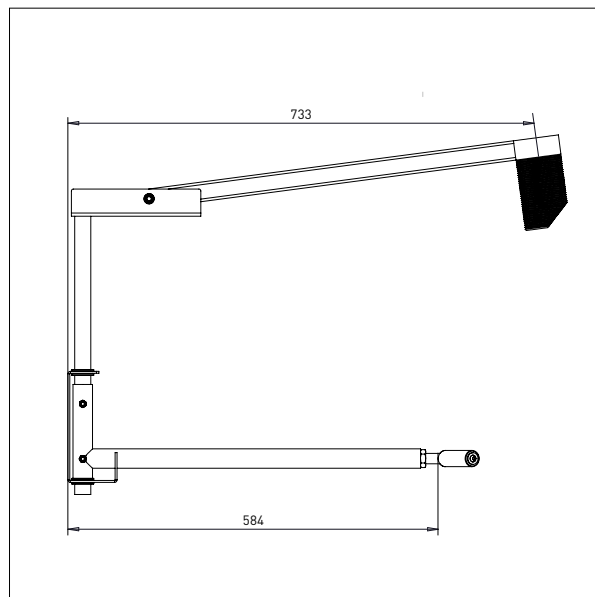
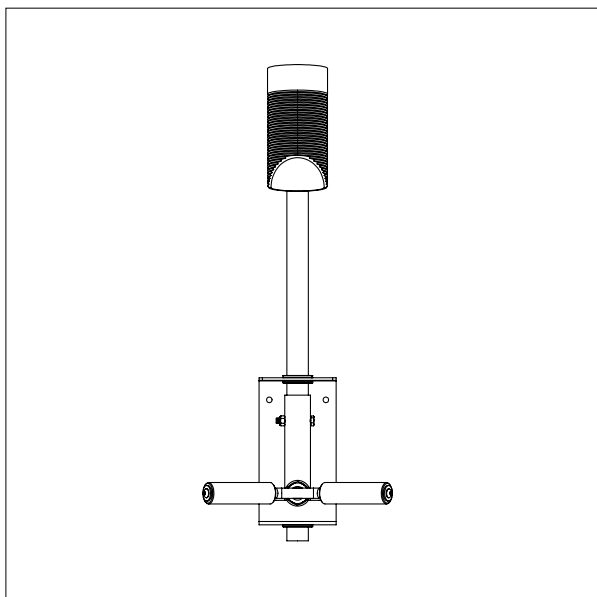


# IMPACT 80 / TOOLS

## TUBE

- All measurements in mm

### TUBE

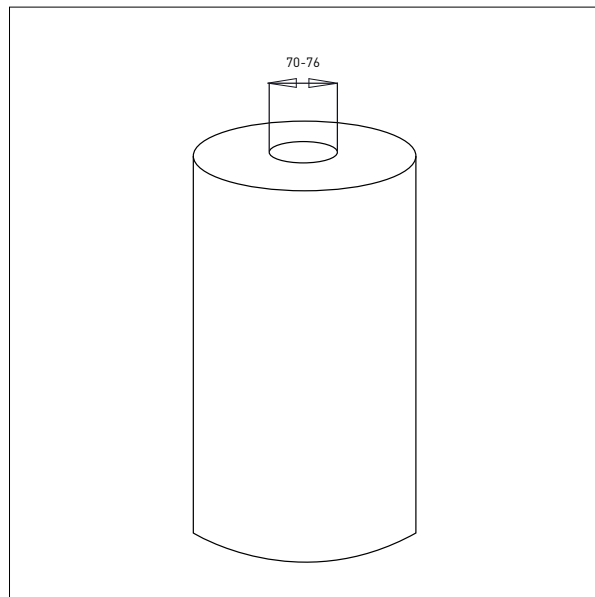
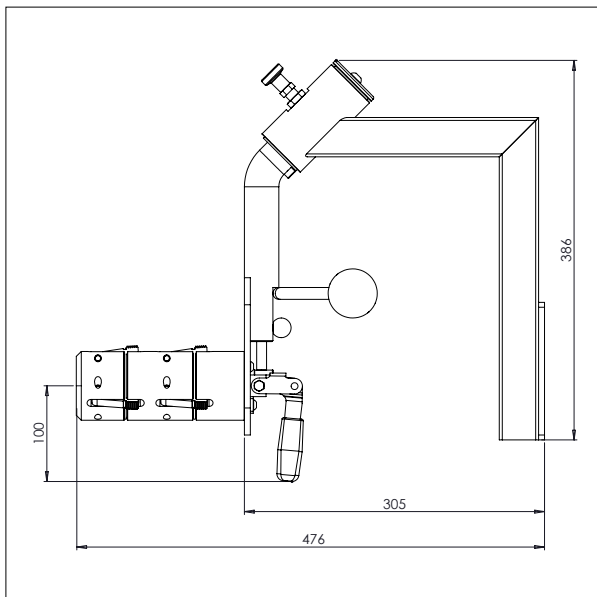
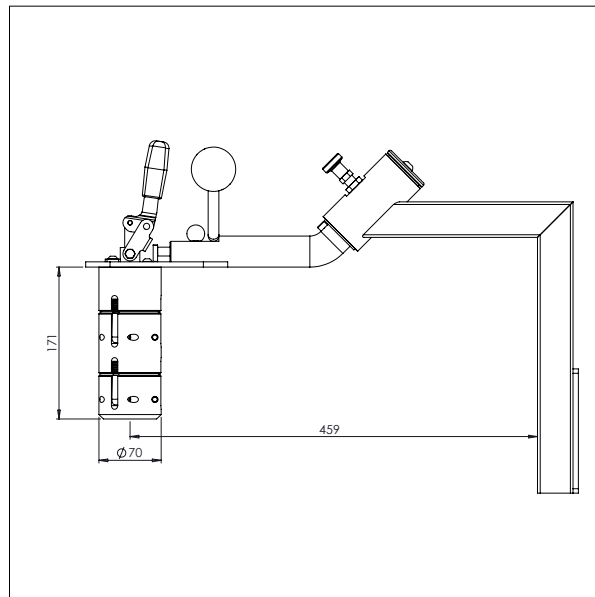
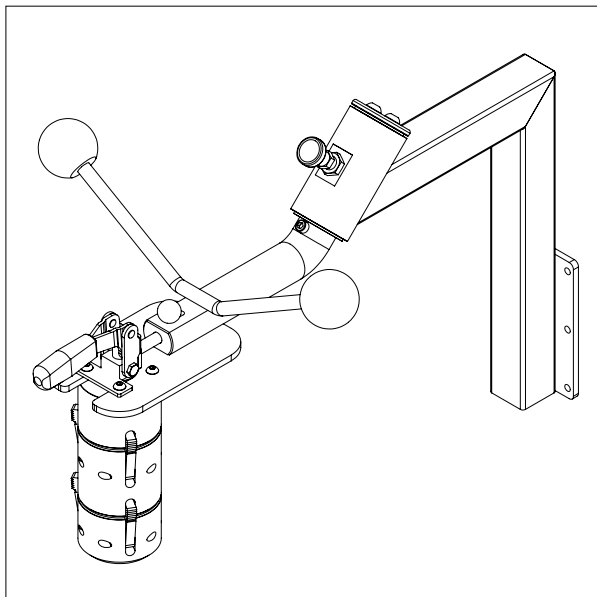


# IMPACT 80 / TOOLS

## REEL MANIPULATORS

- All measurements in mm

### REEL MANIPULATOR - MRP1

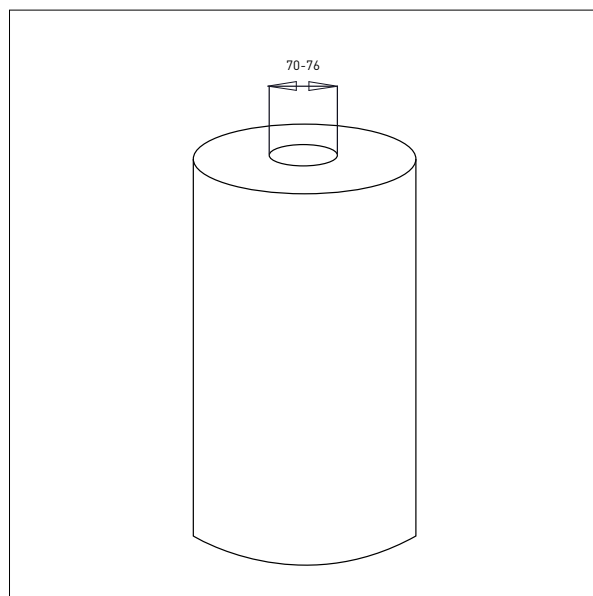
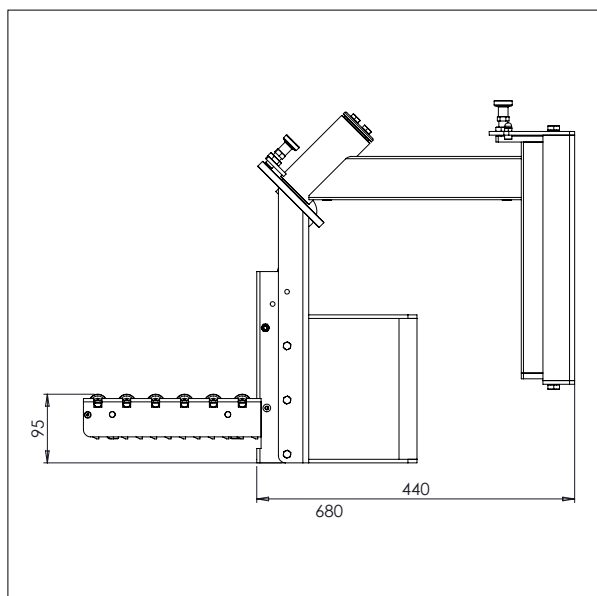
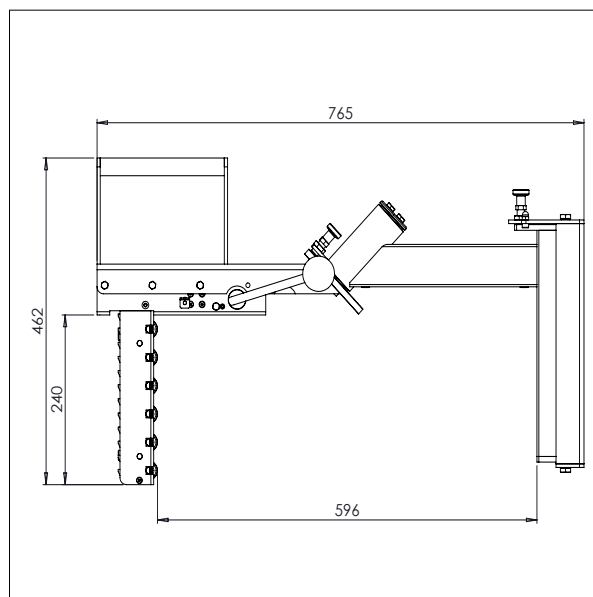
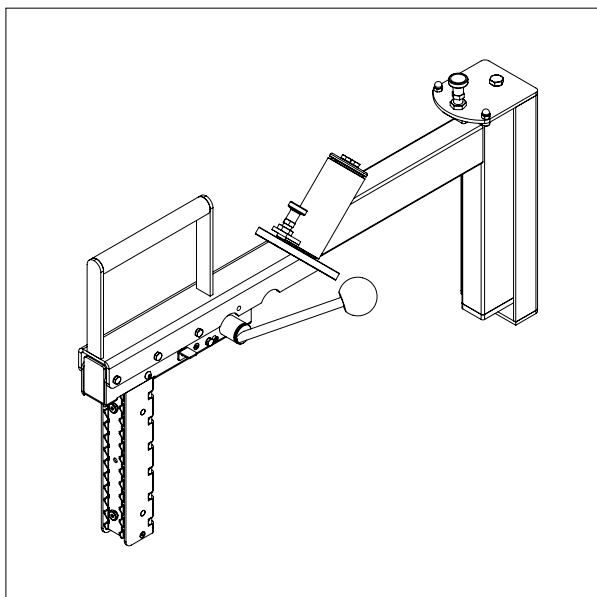


# IMPACT 80 / TOOLS

## REEL MANIPULATORS

- All measurements in mm

### REEL MANIPULATOR - MRP2



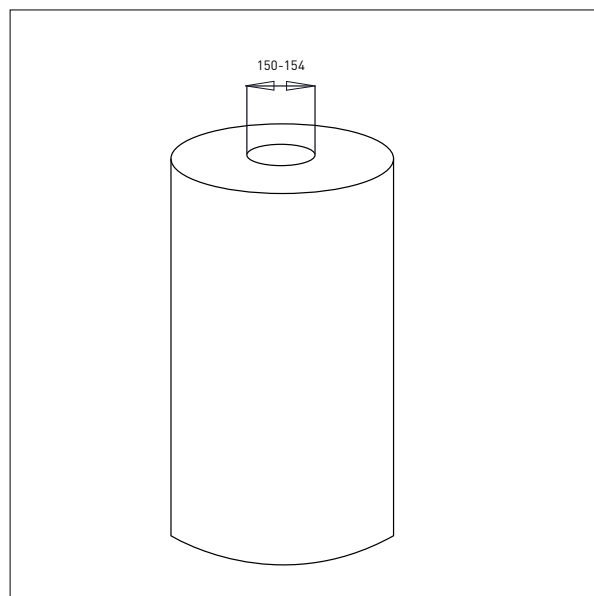
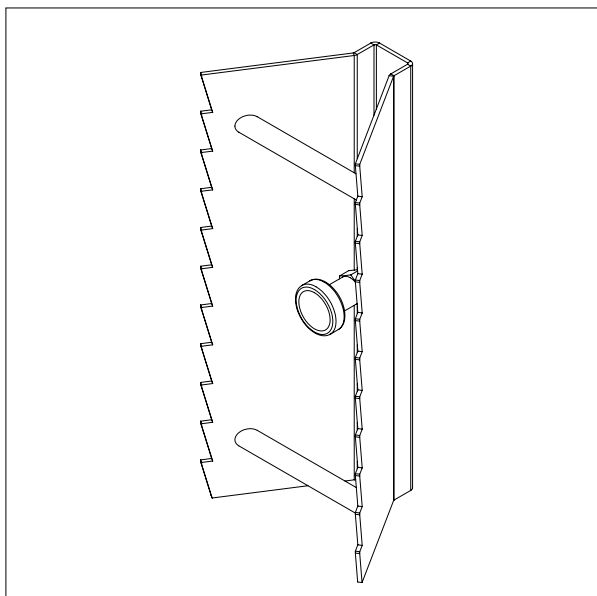
# IMPACT 80 / TOOLS

## MANDRIL ENLARGERS

- All measurements in mm

### MANDRIL ENLARGER - CL1

For:  $\varnothing 152 \text{ mm}/6''$



### MANDRIL ENLARGER - CL2

For:  $\varnothing 254 \text{ mm}/10''$

